


TABLE OF CONTENTS

DETAIL NUMBER	DETAIL NAME	LATEST REVISION
W-00	TABLE OF CONTENTS	02-03-21
W-01.1	POTABLE WATER DISTRIBUTION SPECIFICATIONS	01-16-19
W-01.2	POTABLE WATER DISTRIBUTION SPECIFICATIONS	01-02-19
W-01.3	POTABLE WATER DISTRIBUTION SPECIFICATIONS	06-07-16
W-01.4	POTABLE WATER DISTRIBUTION SPECIFICATIONS	04-08-16
W-01.5	POTABLE WATER DISTRIBUTION SPECIFICATIONS	06-07-16
W-02.1	NON POTABLE WATER DISTRIBUTION SPECIFICATIONS	01-02-19
W-02.2	NON POTABLE WATER DISTRIBUTION SPECIFICATIONS	06-01-16
W-02.3	NON POTABLE WATER DISTRIBUTION SPECIFICATIONS	06-02-16
W-02.4	NON POTABLE WATER DISTRIBUTION SPECIFICATIONS	06-07-16
W-03	TYPE A BEDDING AND TRENCHING DETAIL	06-07-16
W-04	TYPE B BEDDING AND TRENCHING DETAIL	06-07-16
W-05	SEPARATION OF WATER MAINS	06-07-16
W-06.1	MECHANICAL JOINT RESTRAINTS	06-02-16
W-06.2	MECHANICAL JOINT RESTRAINTS	10-24-18
W-07	WATER/SEWER PIPE CONFLICT DETAIL	06-02-16
W-08	GATE VALVE AND BOX DETAIL	09-13-19
W-09	2" AUTOMATIC AIR RELEASE VALVE	09-13-19
W-10	TAPPING SLEEVE AND VALVE	09-13-19
W-11	2" BLOW OFF	09-12-19
W-12	4" BLOW OFF	09-12-19
W-13	CONCRETE VALVE PAD	06-02-16
W-14.1	SINGLE WATER SERVICE CONNECTION	02-03-21
W-14.2	DUAL WATER SERVICE CONNECTION	02-03-21
W-15	LOCATING WIRE DETAIL	09-12-19
W-16	UTILITY SLEEVE DETAIL	06-02-16
W-17	REDUCED PRESSURE BACKFLOW PREVENTER	06-02-16
W-18	DOUBLE CHECK BACKFLOW PREVENTER	06-02-16
W-19	FIRE HYDRANT ASSEMBLY	10-22-19
W-20	FIRE DEPARTMENT CONNECTION (4" OR GREATER)	10-22-19
W-21	FIRE LINE BACKFLOW PREVENTER DEVICE	06-01-16
W-22	COMPOUND METER WITH BACKFLOW PREVENTOR	06-01-16
W-23	FIRE LINE COMPOUND METER WITH BACKFLOW PREVENTOR	06-02-16

Drawing name: G:\Cities and Counties\Wildwood\Standard Details\WATER\W-00 Table of Contents.dwg Model Feb 08, 2021 8:03am by: Jacob.Courtney

 <p>CITY OF WILDWOOD 100 NORTH MAIN STREET WILDWOOD, FLORIDA 34785 (352) 330-1330</p>	SCALE NONE	CITY OF WILDWOOD WATER DETAIL	DETAIL NUMBER
	LATEST REVISION 02-03-21	TABLE OF CONTENTS	W-00 1 OF 1

POTABLE WATER DISTRIBUTION SYSTEM

SCOPE

THE WORK TO BE PERFORMED UNDER THIS SECTION CONSISTS OF FURNISHING ALL TOOLS, EQUIPMENT, MATERIAL, LABOR AND TRANSPORTATION AND PERFORMING ALL WORK NECESSARY FOR THE COMPLETE INSTALLATION OF ALL PIPE, FITTINGS, VALVES AND VALVE BOXES NECESSARY FOR A COMPLETE AND WORKABLE UNIT AS DETAILED ON THE DRAWINGS AND FURTHER DESCRIBED IN THESE SPECIFICATIONS.

THE PIPING AND OTHER MATERIAL AND EQUIPMENT SHALL BE OF THE SIZE, TYPE AND NUMBER SHOWN ON THE DRAWINGS AND/OR AS SPECIFIED HEREIN.

PIPE

PLASTIC PIPE AND FITTINGS SHALL BE MANUFACTURED FROM VIRGIN PVC COMPOUND, WITH A CELL CLASSIFICATION OF 12454-B, WITH PLASTIC PIPE INSTITUTE (PPI) AND NATIONAL SANITATION FOUNDATION (NSF) APPROVAL FOR CARRYING POTABLE WATER. THE PIPE SHALL BE CONNECTED WITH RING-TITE COMPRESSION RING IN WHICH THE BELL IS AN INTEGRAL PART OF THE PIPE. NO SOLVENT WELDED JOINTS WILL BE ALLOWED FOR PIPES 2" AND OVER. DISTRIBUTION SYSTEM PIPING 4" AND GREATER SHALL BE SHALL BE AWWA C-900 DR-18. PIPE SMALLER THAN 4" SHALL BE ASTM D2241, SDR 21, 200 PSI PRESSURE RATING. ALL PIPE SHALL BE SOLID-WALL BLUE PIPE AND SHALL HAVE A CO-EXTRUDED BLUE EXTERNAL SKIN.

POLYETHYLENE WATER SERVICE PIPE SHALL BE USED FOR SINGLE AND MULTIPLE SERVICES OF 2" AND LESS DIAMETER. THE P.E. PIPE OR TUBING SHALL BE HOMOGENOUS THROUGHOUT AND FREE OF VISIBLE CRACKS, HOLES, FOREIGN INCLUSIONS OR OTHER DEFECTS. IT SHALL BE UNIFORM IN COLOR, OPACITY, DENSITY AND OTHER PHYSICAL PROPERTIES. ALL POLYETHYLENE PIPE AND TUBING SHALL CONFORM TO ALL APPLICABLE REQUIREMENTS IN THE LATEST REVISION OF THE FOLLOWING STANDARDS UNLESS OTHERWISE SPECIFIED:

AWWAC901 - STANDARD SPECIFICATION FOR POLYETHYLENE (P.E.) PRESSURE PIPE, TUBING AND FITTINGS, 1/2" THROUGH 3", FOR WATER

ASTM D1248 - STANDARD SPECIFICATION FOR POLYETHYLENE MOLDING AND EXTRUSION MATERIALS

ASTM D2737 - STANDARD SPECIFICATION FOR POLYETHYLENE (P.E.) PLASTIC TUBING (CTS - O.D.)

PE 4710 RESIN, ENDOT ENDOPURE ONLY. BLUE WITH VIRGIN CLEAR CENTER

DUCTILE IRON PIPE SHALL BE DESIGNED IN ACCORDANCE WITH ANSI STANDARD A21.51-86 (AWWA C151-86) - LATEST DUCTILE IRON PIPE, CENTRIFUGALLY CAST IN METAL MOLDS OR SAND-LINED MOLDS FOR WATER OR OTHER LIQUIDS. PIPE SHALL HAVE DESIGN VALUES OF 60,000 PSI TENSILE STRENGTH, 42,000 PSI YIELD STRENGTH, AND 10% MINIMUM ELONGATION. PIPE SHALL BE CEMENT-LINED AND SHALL UTILIZE PUSH-ON JOINTS CONFORMING TO THE REQUIREMENTS OF ANSI A21.11 (AWWA C111). THE PRESSURE RATING, METAL THICKNESS CLASS, NET WEIGHT OF PIPE WITHOUT LINING, LENGTH OF PIPE, AND NAME OF MANUFACTURER SHALL BE CLEARLY MARKED ON EACH LENGTH OF PIPE. FOR DUCTILE IRON PIPE, ANSI WALL THICKNESS SHALL BE A MINIMUM OF THICKNESS CLASS 50. UNDERGROUND METAL PIPE SHALL HAVE BLUE STRIPES APPLIED TO THE PIPE WALL.

ALL UNDERGROUND FITTINGS 4" AND LARGER FOR DUCTILE IRON PIPE AND PVC PIPE SHALL BE DUCTILE IRON FITTINGS AND HAVE MECHANICAL JOINT ENDS, SHALL BE CEMENT MORTAR LINED AND BITUMINOUS SEALED, SHALL BE CLASS 250 MINIMUM AND SHALL CONFORM TO ANSI A21.10 (AWWA C110) -LATEST OR ANSI A21.53 (AWWA C153) LATEST. APPROVED MANUFACTURERS: TYLER-UNION, OR APPROVED EQUAL.


ALL UNDERGROUND FITTINGS LESS THAN 4" SHALL BE SCHEDULE 40 PVC PUSH-ON JOINTS.

VALVES

GATE VALVES SMALLER THAN 2" SHALL MEET FEDERAL SPECIFICATION WW-V-54 TYPE I, CLASS A. VALVES SHALL HAVE THREADED ENDS, ROUGH BODIES AND FINISHED TRIMMINGS, RISING STEMS AND 2" OPERATING NUTS.

GATE VALVES 2" AND OVER IN SIZE SHALL BE RESILIENT-WEDGE WITH CAST IRON OR DUCTILE IRON BODIES MEETING AWWA C509 OR AWWA C515 -LATEST. VALVES SHALL HAVE EITHER THREADED OR MECHANICAL JOINT CONNECTIONS, NON-RISING STEMS AND 2" SQUARE OPERATING NUTS. RESILIENT-WEDGE GATE VALVES SHALL BE MUELLER #2360 SERIES OR EJ FLOWMASTER SERIES OR APPROVED EQUAL.

Drawing name: G:\Cities and Counties\Wildwood\Standard Details\WATER\W-01.1 Potable Water Specifications.dwg Model Jan 16, 2019 8:21am by: treyclayton

	CITY OF WILDWOOD 100 NORTH MAIN STREET WILDWOOD, FLORIDA 34785 (352) 330-1330	SCALE NONE	CITY OF WILDWOOD WATER DETAIL POTABLE WATER DISTRIBUTION SPECIFICATIONS	DETAIL NUMBER
		LATEST REVISION 01-16-19		W-01 1 OF 5

TAPPING SLEEVES AND VALVES

FOR TAPS 4" AND LARGER ON MAIN LINES 6" AND LARGER, THE TAPPING SLEEVE SHALL BE A FORD FAST TAPPING SLEEVE, ROMAC, OR APPROVED EQUAL, AND THE TAPPING VALVE SHALL BE A MUELLER T2360, EJ FLOWMASTER, OR APPROVED EQUAL.

FOR TAPS SMALLER THAN 4" ON MAIN LINES LARGER THAN 2" AND LESS THAN 6", THE SADDLE SHALL BE A DOUBLE STRAP, IRON BODY SADDLE WITH STEEL BANDS, FORD F202 OR APPROVED EQUAL. THE TAPPING VALVE SHALL BE A BRASS CORPORATION STOP OR A RESILIENT SEATED GATE VALVE. FOR A SERVICE LINE, THE TAPPING VALVE SHALL BE A BRASS CORPORATION STOP, FORD FB1100-NL OR APPROVED EQUAL.

WHEN TAPPING A MAIN LINE 3" OR LESS, THE SADDLE SHALL BE FORD S71 OR APPROVED EQUAL. THE TAPPING VALVE SHALL BE A BRASS CORPORATION STOP, FORD FB1100-NL OR APPROVED EQUAL.

VALVE BOXES

VALVE BOXES FOR VALVES SHALL BE TYLER-UNION FOUNDRY DOMESTIC #461-S, FINE GRAIN CAST IRON ROADWAY BOXES WITH A 5-1/4" SHAFT, ADJUSTABLE HEIGHT BY SCREWING FOR THE TRENCH DEPTH SPECIFIED ON THE DRAWINGS. BOXES ARE TO BE COMPLETE WITH TOP AND BASE SECTION AND DROP TOP COVER WITH THE WORD "WATER" PERMANENTLY CAST IN IT.

BLOW-OFF VALVE ASSEMBLY

THE CONTRACTOR SHALL FURNISH AND INSTALL BLOW-OFF ASSEMBLIES IN THE LOCATIONS SHOWN ON THE DRAWINGS. EACH ASSEMBLY SHALL CONSIST OF A BLOW-OFF BRANCH, 2" EJ FLOWMASTER THREADED MODEL GATE VALVE W/ 2" OPERATING NUT, CAP, FITTINGS, INTER-CONNECTING PIPING AND THRUST BLOCKING. SIZES SHALL BE AS SHOWN IN THE DETAIL DRAWING. PIPE AND FITTINGS SHALL BE AS SPECIFIED IN THE PRECEDING PARAGRAPHS.

METER BOX ASSEMBLY

THE CONTRACTOR SHALL FURNISH AND INSTALL METER BOX ASSEMBLIES IN THE LOCATIONS SHOWN ON THE DRAWINGS. EACH ASSEMBLY SHALL INCLUDE AN ANGLE METER VALVE, A U-BRANCH OR Y-BRANCH AS APPLICABLE, AND A WATER METER BOX.

ACCEPTABLE MANUFACTURERS SHALL BE:

DUAL BOX - DFW ROTEC #39F BLACK COMPLETE W/ CI READER, DFW PLASTICS 1200 OR 1500, OR APPROVED EQUAL.

SINGLE BOX - DFW ROTEC #36F BLACK COMPLETE W/ CI READER, DFW PLASTICS 1200 OR 1500, OR APPROVED EQUAL.

ALL WATER METERS WILL BE INSTALLED BY THE CITY. A INTEGRAL DUAL CHECK VALVE OR DOUBLE CHECK VALVE SHALL BE INSTALLED WHERE APPROPRIATE. BACKFLOW DEVICES SHALL BE INSTALLED BY THE DEVELOPER/OWNER. BACKFLOW DEVICES SHALL BE TESTED BY A CERTIFIED TESTER AND THE RESULTS SUBMITTED TO THE WATER DEPARTMENT FOR VERIFICATION.

PIPE LAYING

PRIOR TO CONNECTION OF NEW MAINS TO EXISTING STUBS, THE UTILITY SHALL INSTALL A LOCKING VALVE BOX COVER ON THE EXISTING TIE-IN VALVE TO PREVENT UNSUPERVISED OPENING OF THE VALVE.

THE APPROXIMATE LOCATION OF THE WATER LINES WILL BE STAKED IN THE FIELD BY THE SURVEYOR, BUT INSTALLATION OF THE WATER LINE WILL BE ROUTED AROUND ANY AND ALL TREES, ROOTS AND OTHER OBSTRUCTIONS ON LINE.


UNLESS SPECIFICALLY DESIGNATED ON THE DRAWINGS, OR SO ORDERED BY THE ENGINEER, THE PIPE SHALL BE BURIED TO A DEPTH TO OBTAIN AT LEAST 36" OF COVER.

THE CONTRACTOR SHALL INSTALL EARLY WARNING TAPE 12" ABOVE TOP OF PIPE. IN ADDITION, THE CONTRACTOR SHALL INSTALL A #12 AWG COPPER WIRE CONTINUOUS FOR TRACING.

BEFORE THE PIPE IS LAID IN THE TRENCH THE EARTH FORMING THE BED SHALL BE CAREFULLY FREED OF ALL STONES, ROOTS, ETC. THE BOTTOM OF THE TRENCH WILL BE EXCAVATED BY HAND AND A FIRM FULL-LENGTH SUPPORT FORMED FOR ALL PIPE, VALVES AND FITTINGS. THE PIPE SHALL BE LAID BY SNAKING IN THE TRENCH.

PIPE JOINTS - ALL SURFACES OF THE PORTIONS OF THE PIPE AND JOINTING MATERIAL TO BE JOINED SHALL BE CLEAN AND DRY. FOR THE INSTALLATION OF PIPE WITH THE "COMPRESSION RING" FITTING, A BELL RING LUBRICANT SHALL BE APPLIED TO THE BEVELED PORTION OF THE SPIGOT END. SUCH LUBRICANT SHALL BE OF THE TYPE AND QUALITY AS RECOMMENDED BY THE PIPE MANUFACTURER. CARE SHALL BE EXERCISED TO INSURE THAT THE COMPRESSION RING IS PROPERLY SEATED AND THE PIPE IS COMPLETELY INSERTED SO THAT THE REFERENCE MARKS ON THE SPIGOT END CAN JUST BE SEEN.

Drawing name: G:\Cities and Counties\Wildwood\Standard Details\WATER\W-01.2 Potable Water Specifications.dwg Model Jun 01, 2016 2:27pm by: thomas.d'aguiar

	CITY OF WILDWOOD 100 NORTH MAIN STREET WILDWOOD, FLORIDA 34785 (352) 330-1330	SCALE NONE	CITY OF WILDWOOD WATER DETAIL	DETAIL NUMBER
		LATEST REVISION 06-01-16	POTABLE WATER DISTRIBUTION SPECIFICATIONS	W-01 2 OF 5

MECHANICAL RESTRAINTS SHALL BE PROVIDED AT ALL POINTS WHERE THE LINE BENDS GREATER THAN 10° AND AT ALL WYES, TEES, CAPS, VALVES AND REDUCERS.

CONNECTIONS WILL BE MADE TO THE EXISTING AND/OR CONSTRUCTED FACILITIES IN ACCORDANCE WITH STANDARD PLUMBING PRACTICE. ANY CONNECTIONS MADE BETWEEN ANY WATER PIPE AND ANY OTHER TUBE PIPE SHALL BE MADE USING CONNECTORS AND ADAPTERS DESIGNED FOR THE PURPOSE OF CONNECTING THE TWO TYPES OF PIPE.

SINGLE AND MULTIPLE SERVICES SHALL BE AS SPECIFIED AND SHALL BE MADE BY INSTALLING A DOUBLE STRAP SADDLE OF THE APPROPRIATE SIZE FOR THE MATERIAL USED AND A CTS THREAD ADAPTER DESIGNED FOR USE WITH THE POLYETHYLENE PIPE. THE POLYETHYLENE PIPE SHALL THEN BE INSTALLED TO THE PROPER ALIGNMENT AND DEPTH AND CONNECTED TO THE METER BOX ASSEMBLY WITH A COMPRESSION TYPE ADAPTER DESIGNED FOR USE WITH PE TUBING.

VALVE BOXES SHALL BE SET TO CONFORM ACCURATELY TO THE FINISHED PAVEMENT SURFACE. ALL ADJUSTMENTS REQUIRED FOR GRADE SHALL BE DONE AFTER ALL BASE CONSTRUCTION HAS BEEN COMPLETED. IMMEDIATELY BEFORE THE PLACEMENT OF THE FINAL ASPHALT SURFACE COURSE, THE VALVE SHALL BE UNCOVERED AND THE VALVE BOX SO PLACED AS TO ACCURATELY MEET THE FINISHED PAVEMENT GRADE. THE AREA EXCAVATED IN THE LIME ROCK BASE COURSE TO ALLOW FOR ADJUSTMENT OF THE VALVE BOX TO GRADE SHALL BE BACKFILLED WITH LIME ROCK AND COMPACTED TO THE SAME DENSITY AS THE LIMEROCK BASE COURSE.

AT THE END OF EACH WORK DAY AND/OR WHEN THE PIPE IS LEFT OPEN FOR LONG PERIODS, ALL OPEN ENDS OF THE PIPE WILL BE SUFFICIENTLY COVERED TO PREVENT ENTRANCE OF TRASH OR WILDLIFE.


ANY PIPE INSTALLED AND SUBSEQUENTLY REMOVED SHALL NOT BE REINSTALLED AND SHALL IMMEDIATELY BE REMOVED FROM THE JOB SITE.

CLEARANCE REQUIREMENTS

VERTICAL SEPARATION BETWEEN UNDERGROUND WATER MAINS AND SANITARY OR STORM SEWER LINES, WASTEWATER OR STORMWATER FORCE MAIN, OR RECLAIMED WATER PIPELINES:

- (1) NEW OR RELOCATED UNDERGROUND WATER MAINS CROSSING ANY EXISTING OR PROPOSED GRAVITY-TYPE OR VACUUM-TYPE SANITARY SEWER OR STORM SEWER LINES SHALL BE LAID SO THE OUTSIDE OF THE WATER MAIN IS AT LEAST 18" ABOVE OR BELOW THE OUTSIDE OF THE OTHER PIPELINE. HOWEVER, IT IS PREFERABLE TO LAY THE WATER MAIN ABOVE THE OTHER PIPELINE.
- (2) NEW OR RELOCATED UNDERGROUND WATER MAINS CROSSING ANY EXISTING OR PROPOSED PRESSURE-TYPE SANITARY SEWER, WASTEWATER OR STORMWATER FORCE MAIN, OR PIPELINE CONVEYING RECLAIMED WATER SHALL BE LAID SO THE OUTSIDE OF THE WATER MAIN IS AT LEAST 18" ABOVE OR BELOW THE OUTSIDE OF THE OTHER PIPELINE. HOWEVER, IT IS PREFERABLE TO LAY THE WATER MAIN ABOVE THE OTHER PIPELINE.
- (3) AT THE UTILITY CROSSINGS DESCRIBED IN PARAGRAPHS (1) AND (2) ABOVE, ONE FULL LENGTH OF WATER MAIN PIPE SHALL BE CENTERED ABOVE OR BELOW THE OTHER PIPELINE SO THE WATER MAIN JOINTS WILL BE AS FAR AS POSSIBLE FROM THE OTHER PIPELINE. ALTERNATIVELY, AT SUCH CROSSINGS, THE PIPES SHALL BE ARRANGED SO THAT ALL WATER MAIN JOINTS ARE AT LEAST 10' FROM ALL JOINTS IN VACUUM-TYPE SANITARY SEWER LINES, STORM SEWER LINES, STORMWATER FORCE MAINS, OR PIPELINES CONVEYING RECLAIMED WATER REGULATED UNDER PART III OF CHAPTER 62-610, FAC. AND AT LEAST 10' FROM ALL JOINTS IN GRAVITY-TYPE OR PRESSURE-TYPE SANITARY SEWER LINES, WASTEWATER FORCE MAINS OR PIPELINES CONVEYING RECLAIMED WATER NOT REGULATED UNDER PART III OF CHAPTER 62-610, FAC.
- (4) SEPARATION BETWEEN WATER MAINS AND SANITARY OR STORM SEWER MANHOLES:
 - A. NO WATER MAIN SHALL PASS THROUGH, OR COME IN CONTACT WITH, ANY PART OF A SANITARY MANHOLE.
 - B. WATER MAINS SHALL NOT BE CONSTRUCTED OR ALTERED TO PASS THROUGH, OR COME INTO ANY CONTACT WITH, ANY PART OF A STORM SEWER MANHOLE OR INLET STRUCTURE.
- (5) WHERE AN UNDERGROUND WATER MAIN IS BEING LAID LESS THAN 3' HORIZONTALLY FROM ANOTHER PIPELINE AND WHERE AN UNDERGROUND WATER MAIN IS CROSSING ANOTHER PIPELINE AND IS BEING LAID LESS THAN THE REQUIRED MINIMUM VERTICAL DISTANCE FROM THE OTHER PIPELINE:
 - A. USE OF PIPE OR CASING PIPE, HAVING HIGH IMPACT STRENGTH (I.E., HAVING AN IMPACT STRENGTH AT LEAST EQUAL TO THAT OF 0.25"-THICK DUCTILE IRON PIPE) OR CONCRETE ENCASEMENT AT LEAST 4" THICK FOR THE WATER MAIN; AND
 - B. USE OF PIPE OR CASING PIPE HAVING HIGH IMPACT STRENGTH (I.E. HAVING AN IMPACT STRENGTH AT LEAST EQUAL TO THAT OF 0.25"-THICK DUCTILE IRON PIPE) OR CONCRETE ENCASEMENT AT LEAST 4" THICK FOR THE OTHER PIPELINE IF IT IS NEW AND IS CONVEYING WASTEWATER OR RECLAIMED WATER.

Drawing name: G:\Cities and Counties\Wildwood\Standard Details\WATER\W-01.3 Potable Water Specifications.dwg Model Jun 07, 2016 1:35pm by: thomas.d'aguiar

	CITY OF WILDWOOD 100 NORTH MAIN STREET WILDWOOD, FLORIDA 34785 (352) 330-1330	SCALE NONE	CITY OF WILDWOOD WATER DETAIL	DETAIL NUMBER
		LATEST REVISION 06-25-15	POTABLE WATER DISTRIBUTION SPECIFICATIONS	W-01 3 OF 5

HORIZONTAL SEPARATION BETWEEN UNDERGROUND WATER MAINS AND SANITARY OR STORM SEWER LINES, WASTEWATER OR STORMWATER FORCE MAIN, RECLAIMED WATER PIPELINES, AND ON-SITE SEWAGE TREATMENT AND DISPOSAL SYSTEMS.

(1) NEW OR RELOCATED UNDERGROUND WATER MAINS SHALL BE LAID TO PROVIDE A HORIZONTAL DISTANCE PER FDEP REQUIREMENTS BETWEEN THE OUTSIDE OF THE WATER MAIN AND THE OUTSIDE OF ANY EXISTING OR PROPOSED STORM SEWER LINE, STORMWATER FORCE MAIN, OR PIPELINE CONVEYING RECLAIMED WATER REGULATED UNDER PART III OF CHAPTER 62-610, FAC.

(2) NEW OR RELOCATED UNDERGROUND WATER MAINS SHALL BE LAID TO PROVIDE HORIZONTAL DISTANCE PER FDEP REQUIREMENTS BETWEEN THE OUTSIDE OF THE WATER MAIN AND THE OUTSIDE OF ANY EXISTING OR PROPOSED VACUUM-TYPE SANITARY SEWER LINE.

(3) NEW OR RELOCATED UNDERGROUND WATER MAINS SHALL BE LAID TO PROVIDE A HORIZONTAL DISTANCE PER FDEP REQUIREMENTS BETWEEN THE OUTSIDE OF THE WATER MAIN AND THE OUTSIDE OF ANY EXISTING OR PROPOSED GRAVITY-TYPE OR PRESSURE-TYPE SANITARY SEWER LINE, WASTEWATER FORCE MAIN, OR PIPELINE CONVEYING RECLAIMED WATER NOT REGULATED UNDER PART III OF CHAPTER 62-610, F.A.C. THE MINIMUM HORIZONTAL SEPARATION DISTANCE BETWEEN WATER MAINS AND GRAVITY-TYPE SANITARY SEWER LINES SHALL BE REDUCED WHERE THE BOTTOM OF THE WATER MAIN IS LAID AT LEAST 18" ABOVE THE TOP OF THE SEWER LINE.

(4) NEW OR RELOCATED UNDERGROUND WATER MAINS SHALL BE LAID TO PROVIDE A HORIZONTAL DISTANCE PER FDEP REQUIREMENTS BETWEEN THE OUTSIDE OF THE WATER MAIN AND ALL PARTS OF ANY EXISTING OR PROPOSED ON-SITE SEWAGE TREATMENT AND DISPOSAL SYSTEM, AS DEFINED IN SECTION 381.0065(2), F.S. AND RULE 64E-6002, F.A.C.

(5) WHERE AN UNDERGROUND WATER MAIN IS BEING LAID LESS THAN THE REQUIRED MINIMUM HORIZONTAL DISTANCE FROM ANOTHER PIPELINE AND WHERE AN UNDERGROUND WATER MAIN IS CROSSING ANOTHER PIPELINE AND JOINTS IN THE WATER MAIN ARE BEING LOCATED LESS THAN THE REQUIRED MINIMUM DISTANCE FROM JOINTS IN OTHER PIPELINE:

- A. USE OF PRESSURE-RATED PIPE CONFORMING TO THE AWWA STANDARDS INCORPORATED INTO RULE 62-555.330, FAC. FOR THE OTHER PIPELINE IF IT IS GRAVITY-TYPE OR VACUUM-TYPE PIPELINE;
- B. USE OF WELDED, FUSED, OR OTHERWISE RESTRAINED JOINTS FOR EITHER THE WATER MAIN OR THE OTHER PIPELINE; OR
- C. USE OF WATER-TIGHT CASING PIPE OR CONCRETE ENCASEMENT AT LEAST 4" THICK FOR EITHER THE WATER MAIN OR THE OTHER PIPELINE.

TESTING


AFTER THE PIPE HAS BEEN CONNECTED AND LAID IN THE TRENCHES, ENOUGH BACKFILL BETWEEN JOINTS WILL BE MADE TO INSURE THE ANCHORAGE OF THE PIPE IN THE TRENCH AND THE LINES PRESSURE TESTED. THE CONTRACTOR SHALL CONTACT THE UTILITY TO UNLOCK THE VALVE BOX COVER AT THE POINT OF CONNECTION AND FILL THE LINE WITH WATER. THE VALVE SHALL BE CLOSED AND LOCKED AFTER LINE FILLING AND THE CONTRACTOR SHALL INSTALL THE NECESSARY FIXTURES PUMPS, GAUGES, ETC. TO SUBJECT THE LINES TO A HYDROSTATIC GAUGE PRESSURE OF 150 PSI.

EACH INDIVIDUAL BRANCH LINE OF LOOP SHALL BE SUBJECTED TO THE 150 PSI PRESSURE AND MAINTAINED FOR AT LEAST 2 HOURS. ANY DEFECTS OR LEAKS REVEALED WILL BE LOCATED AND REPAIRED AND ANOTHER PRESSURE TEST RUN BEFORE BACKFILLING.

AFTER THE TESTING OF THE INDIVIDUAL BRANCH LINES, THOSE PORTIONS OF THE LINE WILL BE APPROVED FOR BACKFILL, BUT THE JOINTS WHERE EACH BRANCH LINE CONNECTS TO A MAIN OR ANOTHER BRANCH LINE SHALL REMAIN OPEN. AFTER TESTING OF ALL BRANCH LINES AND THE COMPLETE CONNECTION OF THE ENTIRE DISTRIBUTION SYSTEM, A PRESSURE TEST WILL BE RUN ON THE ENTIRE SYSTEM. A PRESSURE OF 150 PSI WILL BE PUT ON THE SYSTEM AND WILL BE MAINTAINED FOR AT LEAST 2 HOURS WITH NO LOSS IN PRESSURE IN ACCORDANCE WITH THE PROCEDURES SPECIFIED IN AWWA MANUAL NO. 23 AND AWWA C605 FOR PVC WATER MAINS OR AWWA C600 FOR DUCTILE IRON WATER MAINS. AFTER THE SYSTEM MAINTAINS THE TEST PRESSURE, THE ENTIRE SYSTEM MAY BE BACKFILLED.

ALL WATER DISTRIBUTION SYSTEM PRESSURE TESTING SHALL BE COMPLETED A MINIMUM OF 30 DAYS PRIOR TO THE PROJECT SUBSTANTIAL COMPLETION DATE OR AS REQUIRED BY THE CITY ENGINEER.

Drawing name: C:\Users\thomas.d\aguar\AppData\Local\Temp\AcPublish_8108\W-01.4 Potable Water Specifications.dwg Model Jun 02, 2016 7:58am by: thomas.d\aguar

 <p>CITY OF WILDWOOD 100 NORTH MAIN STREET WILDWOOD, FLORIDA 34785 (352) 330-1330</p>	SCALE NONE	CITY OF WILDWOOD WATER DETAIL	DETAIL NUMBER
	LATEST REVISION 04-07-16	POTABLE WATER DISTRIBUTION SPECIFICATIONS	W-01 4 OF 5

BACKFILLING

TRENCHES SHALL BE BACKFILLED WITH THE EXCAVATED MATERIALS FROM WHICH LARGE CLODS OR STONES HAVE BEEN REMOVED AND SHALL BE CAREFULLY DEPOSITED IN LAYERS NOT TO EXCEED 12" AND THOROUGHLY AND CAREFULLY RAMMED UNTIL ENOUGH FILL HAS BEEN PLACED TO PROVIDE A COVER OF NOT LESS THAN 2' ABOVE THE PIPE. THE REMAINDER OF THE BACKFILL MATERIAL MAY THEN BE PLACED AND SHOULD BE MOISTENED AND TAMPED TO INSURE PROPER COMPACTION.

BACKFILL SHALL NOT BE PLACED OVER ANY PLASTIC PIPE WHILE IT IS IN A HEATED CONDITION. BEFORE BACKFILLING THE PIPE, THE TEMPERATURE SHALL BE BROUGHT TO THE APPROXIMATE TEMPERATURE OF THE GROUND EITHER BY RUNNING WATER THROUGH IT OR BY BACKFILLING IN THE EARLY MORNING WHEN THE PIPE AND GROUND ARE AT THE SAME TEMPERATURE.

WHENEVER THE TRENCHES HAVE NOT BEEN PROPERLY FILLED, OR IF SETTLEMENT OCCURS, THEY SHALL BE REFILLED, COMPACTED, SMOOTHED OFF, AND FINALLY MADE TO CONFORM TO THE SURFACE OF THE GROUND. BACKFILL IN OPEN TRENCHES ACROSS ROADWAYS OR OTHER AREAS WHICH ARE TO BE REPAVED SHALL BE MADE AS SPECIFIED ABOVE EXCEPT THAT THE ENTIRE FILL ABOVE PIPE SHALL BE DEPOSITED IN LAYERS NOT TO EXCEED 12" IN THICKNESS, MOISTENED AND COMPACTED TO 98% OF MAXIMUM DENSITY AS DETERMINED BY AASHTO T-180 SO THAT WHEN BACKFILLING IS COMPLETED, THE ROADWAY PAVING MAY BE PLACED IMMEDIATELY.

DISINFECTING

DISINFECTING THE WATER MAIN AND CONDUCTING BACTERIOLOGICAL SURVEYS AND EVALUATIONS MUST BE DONE IN ACCORDANCE WITH AWWA C651.

AFTER THE INSTALLATION HAS BEEN COMPLETED, THE CONTRACTOR SHALL CONTACT THE UTILITY TO UNLOCK THE VALVE BOX COVER AT THE POINT OF CONNECTION AND THE WATER LINES AND APPURTENANCES SHALL BE THOROUGHLY FLUSHED AND THEN DISINFECTED BY THE APPLICATION OF CHLORINE, EITHER GASEOUS OR IN HYPOCHLORITE FORM, UNTIL A RESIDUAL CHLORINE CONTENT OF AT LEAST 50 PPM IS OBTAINED THROUGHOUT THE SYSTEM. THIS CHLORINATED WATER SHALL REMAIN IN THE LINES FOR A PERIOD OF 24 HOURS, DURING WHICH TIME THE VALVES SHALL BE OPENED SEVERAL TIMES IN ORDER TO WET ALL OF THE PARTS.


UPON COMPLETION OF THE FLUSHING AND DISINFECTION OF THE WATER LINES, THE CONTRACTOR SHALL HAVE WATER SAMPLES TESTED FOR BACTERIOLOGICAL MAIN CLEARANCE IN ACCORDANCE WITH APPLICABLE STATE OF FLORIDA DEPT. OF ENVIRONMENTAL PROTECTION (F.D.E.P.) REQUIREMENTS. IN THE EVENT THAT THESE TESTS FAIL DUE TO CONTAMINATION, INADEQUATE STERILIZATION, OR FOR ANY OTHER CAUSE DIRECTLY RELATED TO THE WORK OF THE CONTRACTOR, THE WATER LINES SHALL BE DISINFECTED BY THE CONTRACTOR AT NO ADDITIONAL COST TO THE OWNER. THE COST OF THE NECESSARY RETESTING FOR BACTERIOLOGICAL MAIN CLEARANCE SHALL BE CHARGED DIRECTLY TO THE CONTRACTOR OR DEDUCTED FROM ANY PAYMENT DUE.

EXCEPT AS REQUIRED FOR FLUSHING, DISINFECTION, AND BACTERIOLOGICAL MAIN CLEARANCE SAMPLING, THE TIE-IN VALVE SHALL REMAIN CLOSED AND LOCKED UNTIL THE NEW SYSTEM HAS BEEN CLEARED FOR SERVICE BY THE F.D.E.P.

PLUMBING CODE

ALL PIPING AND RELATED FITTING SHALL BE INSTALLED ACCORDING TO THE PLUMBING CODE OF THE STATE OF FLORIDA, LOCAL AUTHORITIES AND MANUFACTURER'S RECOMMENDATIONS. WHEREVER THESE SPECIFICATIONS AND/OR DRAWINGS EXCEED THE REQUIREMENTS OF SAID CODES, THESE DOCUMENTS TAKE PRECEDENCE. THE PIPING MUST BE INSTALLED IN A STRONG, NEAT AND WORKMANLIKE MANNER, SUBJECT TO THE RESTRICTIONS INDICATED.

Drawing name: C:\Users\thomas.d\aguiar\AppData\Local\Temp\AcPublish...2532\W-01.5 Potable Water Specifications.dwg Model Jun 07, 2016 1:53pm by: thomas.d\aguiar

	CITY OF WILDWOOD 100 NORTH MAIN STREET WILDWOOD, FLORIDA 34785 (352) 330-1330	SCALE	CITY OF WILDWOOD WATER DETAIL		DETAIL NUMBER
		NONE	POTABLE WATER DISTRIBUTION SPECIFICATIONS		W-01
		LATEST REVISION			5 OF 5
		11-10-14			

NON-POTABLE WATER DISTRIBUTION SYSTEM

SCOPE

THE WORK TO BE PERFORMED UNDER THIS SECTION CONSISTS OF FURNISHING ALL TOOLS, EQUIPMENT, MATERIAL, LABOR AND TRANSPORTATION AND PERFORMING ALL WORK NECESSARY FOR THE COMPLETE INSTALLATION OF ALL PIPE, FITTINGS, VALVES, VALVE BOXES, AND FIRE HYDRANTS NECESSARY FOR A COMPLETE AND WORKABLE UNIT AS DETAILED ON THE DRAWINGS AND FURTHER DESCRIBED IN THESE SPECIFICATIONS.

THE PIPING AND OTHER MATERIAL AND EQUIPMENT SHALL BE OF THE SIZE, TYPE AND NUMBER SHOWN ON THE DRAWINGS AND/OR AS SPECIFIED HEREIN. ITEMS DESCRIBED HEREIN AND NOT INCLUDED ON THE DRAWINGS SHALL BE DISREGARDED.

PIPE

PLASTIC PIPE AND FITTINGS SHALL BE MANUFACTURED FROM VIRGIN PVC COMPOUND, WITH A CELL CLASSIFICATION OF 12454-B, WITH PLASTIC PIPE INSTITUTE (PPI). THE PIPE SHALL BE CONNECTED WITH RING-TITE COMPRESSION RING IN WHICH THE BELL IS AN INTEGRAL PART OF THE PIPE. NO SOLVENT WELDED JOINTS WILL BE ALLOWED FOR PIPES 2" AND OVER. DISTRIBUTION SYSTEM PIPING 3" AND LARGER SHALL BE AWWA C900 OR C905, DR-25. DEDICATED FIRE LINES SERVING BUILDING STRUCTURE SPRINKLER SYSTEMS SHALL BE AWWA C900 OR C904, DR14. DEDICATED FIRE LINES SHALL BE INSTALLED BY A CONTRACTOR LICENSED IN FLORIDA TO INSTALL FIRE LINES. PIPES SMALLER THAN 3" SHALL BE ASTM D2241, SDR-21, WITH A PRESSURE RATING OF 200 PSI. ALL PIPE SHALL BE COLOR-CODED WITH PANTONE PURPLE 522C.

POLYETHYLENE WATER SERVICE PIPE SHALL BE USED FOR SINGLE AND MULTIPLE SERVICES OF 2" AND LESS DIAMETER. THE PE PIPE OR TUBING SHALL BE HOMOGENOUS THROUGHOUT AND FREE OF VISIBLE CRACKS, HOLES, FOREIGN INCLUSIONS OR OTHER DEFECTS. IT SHALL BE UNIFORM IN COLOR, OPACITY, DENSITY AND OTHER PHYSICAL PROPERTIES. ALL POLYETHYLENE PIPE AND TUBING SHALL CONFORM TO ALL APPLICABLE REQUIREMENTS IN THE LATEST REVISION OF THE FOLLOWING STANDARDS UNLESS OTHERWISE SPECIFIED:

AWWA C901 – STANDARD FOR POLYETHYLENE (PE) PRESSURE PIPE, TUBING AND FITTINGS, 1/2" THROUGH 3", FOR WATER

ASTM D1248 – STANDARD SPECIFICATION FOR POLYETHYLENE MOLDING AND EXTRUSION MATERIALS

ASTM D2737 – STANDARD SPECIFICATION FOR POLYETHYLENE (PE) PLASTIC TUBING (CTS – O.D.)

PE 4710 RESIN, ENDOT ENDOCORE ONLY, PURPLE WITH VIRGIN CLEAR CENTER

THE PE PIPE OR TUBING SHALL BE RATED FOR USE WITH WATER AT 73.40 F AT A HYDROSTATIC DESIGN STRESS OF 630 PSI AND A MAXIMUM WORKING PRESSURE OF 160 PSI. THE DIMENSIONS AND TOLERANCES SHALL COMPLY WITH: COPPER TUBE SIZE (DR-9) ASTM D2737. PE PIPE SHALL BE ENDOT INDUSTRIES, RECLAIMED WATER PE-4710 CTS TUBING, (DR-9), 250 PSI. FITTINGS AND VALVES FOR USE WITH POLYETHYLENE PIPE SHALL BE BRONZE BODY IN ACCORDANCE WITH THE LATEST EDITION OF AWWA C800 AND SHALL HAVE COMPRESSION TYPE JOINT CONNECTIONS SPECIFICALLY DESIGNED FOR USE WITH POLYETHYLENE PIPE. VALVES SHALL BE OF THE BALL VALVE TYPE WITH MOLDED BUNA-N RUBBER SEATS TO SUPPORT THE BALL DOUBLE BUNA-N RUBBER O-RINGS IN THE STEM. STAINLESS STEEL INSERT STIFFENERS SHALL BE USED WITH ALL FITTINGS AND VALVES.

GALVANIZED STEEL WATER PIPE SHALL BE GALVANIZED STEEL MEETING FEDERAL SPECIFICATION WW-P406, CLASS 2 ZINC COATED STANDARD WEIGHT UNLESS OTHERWISE SPECIFIED. FITTINGS SHALL BE GALVANIZED MALLEABLE IRON MEETING FEDERAL SPECIFICATION WW-P-521D.


DUCTILE IRON PIPE

DUCTILE IRON PIPE SHALL BE DESIGNED IN ACCORDANCE WITH ANSI STANDARD A21.51-86 (AWWA C151-86) LATEST DUCTILE IRON PIPE, CENTRIFUGALLY CAST IN METAL MOLDS OR SAND-LINED MOLDS FOR WATER OR OTHER LIQUIDS. PIPE SHALL HAVE DESIGN VALUES OF 60,000 PSI TENSILE STRENGTH, 42,000 PSI YIELD STRENGTH, AND 10% MINIMUM ELONGATION. PIPE SHALL BE CEMENT-LINED AND SHALL UTILIZE PUSH-ON JOINTS CONFORMING TO THE REQUIREMENTS OF ANSI A21.11 (AWWA C111). THE PRESSURE RATING, METAL THICKNESS CLASS, NET WEIGHT OF PIPE WITHOUT LINING. LENGTH OF PIPE, AND NAME OF MANUFACTURER SHALL BE CLEARLY MARKED ON EACH LENGTH OF PIPE. FOR DUCTILE IRON PIPE, ANSI WALL THICKNESS SHALL BE A MINIMUM OF THICKNESS CLASS 50.

ALL UNDERGROUND FITTINGS 3" AND LARGER FOR DUCTILE IRON PIPE AND PVC PIPE SHALL BE DUCTILE IRON FITTINGS AND HAVE MECHANICAL JOINT ENDS, SHALL BE CEMENT MORTAR LINED AND BITUMINOUS SEALED, SHALL BE CLASS 250 MINIMUM AND SHALL CONFORM TO ANSI A21.10 (AWWA C110) –LATEST OR NSI A21.53 (AWWA C153) LATEST. APPROVED MANUFACTURERS: TYLER-UNION

ALL UNDERGROUND FITTINGS LESS THAN 3" SHALL BE SCHEDULE 40 PVC PUSH-ON JOINTS.

Drawing name: G:\Cities and Counties\Wildwood\Standard Details\WATER\W-02.1 Non Potable Water Specifications.dwg Model Jan 02, 2019 11:17am by: trey,clayton

	CITY OF WILDWOOD 100 NORTH MAIN STREET WILDWOOD, FLORIDA 34785 (352) 330-1330	SCALE NONE	CITY OF WILDWOOD WATER DETAIL	DETAIL NUMBER
		LATEST REVISION 01-02-19	NON-POTABLE WATER DISTRIBUTION SPECIFICATIONS	W-02 1 OF 4

VALVES

GATE VALVES SMALLER THAN 2" SHALL MEET FEDERAL SPECIFICATION WW-V-54 TYPE I, CLASS A. VALVES SHALL HAVE THREADED ENDS, ROUGH BODIES AND FINISHED TRIMMINGS, RISING STEMS AND 2" OPERATING NUTS.

GATE VALVES 2" AND OVER IN SIZE SHALL BE RESILIENT-WEDGE WITH CAST IRON OR DUCTILE IRON BODIES MEETING AWWA C509 OR AWWA C515 - LATEST. VALVES SHALL HAVE EITHER THREADED OR MECHANICAL JOINT CONNECTIONS, NON-RISING STEMS, AND 2" SQUARE OPERATING NUTS. RESILIENT-WEDGE GATE VALVES SHALL BE MUELLER #2360 SERIES OR EJ FLOWMASTER SERIES.

TAPPING SLEEVES AND VALVES

FOR TAPS 4" AND LARGER ON MAIN LINES 6" AND LARGER, THE TAPPING SLEEVE SHALL BE A FORD FAST, ROMAC OR APPROVED EQUAL, AND THE TAPPING VALVE SHALL BE A MUELLER T2360 OR EJ FLOWMASTER SERIES.

FOR TAPS SMALLER THAN 4" ON MAIN LINES LARGER THAN 2" AND LESS THAN 8", THE SADDLE SHALL BE A DOUBLE STRAP, IRON BODY SADDLE WITH STEEL BANDS, FORD F202 OR APPROVED EQUAL. THE TAPPING VALVE SHALL BE A BRASS CORPORATION STOP OR A RESILIENT SEATED GATE VALVE. FOR A SERVICE LINE, THE TAPPING VALVE SHALL BE A BRASS CORPORATION STOP, FORD FB 1100-NL OR APPROVED EQUAL.

WHEN TAPPING A MAIN LINE 3" OR LESS, THE SADDLE SHALL BE FORD S71 OR APPROVED EQUAL. THE TAPPING VALVE SHALL BE A BRASS CORPORATION STOP, FORD FB1100-NL OR APPROVED EQUAL.

VALVE BOXES

VALVE BOXES FOR VALVES SHALL BE TYLER-UNION FOUNDRY DOMESTIC #461-S, FINE GRAIN CAST IRON ROADWAY BOXES WITH A 5-1/4" SHAFT, ADJUSTABLE HEIGHT BY SCREWING FOR THE TRENCH DEPTH SPECIFIED ON THE DRAWINGS. BOXES ARE TO BE COMPLETE WITH TOP AND BASE SECTION AND DROP TOP COVER WITH THE WORD 'REUSE" PERMANENTLY CAST IN IT.

BLOW-OFF VALVE ASSEMBLY

THE CONTRACTOR SHALL FURNISH AND INSTALL BLOW-OFF ASSEMBLIES IN THE LOCATIONS SHOWN ON THE DRAWINGS. EACH ASSEMBLY SHALL CONSIST OF A BLOW-OFF BRANCH, 2" EJ FLOWMASTER THREADED MODEL GATE VALVE W/ 2" OPERATING NUT, CAP, FITTINGS, INTER-CONNECTING PIPING AND THRUST BLOCKING. SIZES SHALL BE AS SHOWN IN THE DETAIL DRAWING. PIPE AND FITTINGS SHALL BE AS SPECIFIED IN THE PRECEDING PARAGRAPHS.

NON-POTABLE METER BOX ASSEMBLY

THE CONTRACTOR SHALL FURNISH AND INSTALL METER BOX ASSEMBLIES IN THE LOCATIONS SHOWN ON THE DRAWINGS. EACH ASSEMBLY SHALL INCLUDE AN ANGLE METER VALVE, A U-BRANCH OR Y-BRANCH AS APPLICABLE, A DUAL CHECK VALVE OR DOUBLE CHECK VALVE AS APPLICABLE, AND A WATER METER BOX.


ACCEPTABLE MANUFACTURERS SHALL BE:

DUAL BOX - DFW ROTEC #39F PURPLE COMPLETE W/ CI READER, DFW PLASTICS 1200 OR 1500, OR APPROVED EQUAL.

SINGLE BOX - DFW ROTEC #36F PURPLE COMPLETE W/ CI READER, DFW PLASTICS 1200 OR 1500, OR APPROVED EQUAL.

ALL WATER METERS WILL BE INSTALLED BY THE CITY.

Drawing name: C:\Users\thomas.d'agular\AppData\Local\Temp\AcPublish_5656\W-02.2 Non Potable Water Specifications.dwg Model Jun 01, 2016 2:27pm by: thomas.d'agular

	CITY OF WILDWOOD 100 NORTH MAIN STREET WILDWOOD, FLORIDA 34785 (352) 330-1330	SCALE	CITY OF WILDWOOD WATER DETAIL		DETAIL NUMBER
		NONE	NON-POTABLE WATER DISTRIBUTION SPECIFICATIONS		W-02
		LATEST REVISION			2 OF 4
		06-01-16			

PIPE LAYING

THE APPROXIMATE LOCATION OF THE WATER LINES WILL BE STAKED IN THE FIELD BY THE SURVEYOR, BUT INSTALLATION OF THE WATER LINE WILL BE ROUTED AROUND ANY AND ALL TREES, ROOTS AND OTHER OBSTRUCTIONS ON LINE.

UNLESS SPECIFICALLY DESIGNATED ON THE DRAWINGS, OR SO ORDERED BY THE ENGINEER, THE PIPE SHALL BE BURIED TO A DEPTH TO OBTAIN AT LEAST 48" OF COVER.

BEFORE THE PIPE IS LAID IN THE TRENCH THE EARTH FORMING THE BED SHALL BE CAREFULLY FREED OF ALL STONES, ROOTS, ETC. THE BOTTOM OF THE TRENCH WILL BE EXCAVATED BY HAND AND A FIRM FULL-LENGTH SUPPORT FORMED FOR ALL PIPE, VALVES AND FITTINGS. THE PIPE SHALL BE LAID BY SNAKING IN THE TRENCH.

PREPARATORY TO MAKING PIPE JOINTS ALL SURFACES OF THE PORTIONS OF THE PIPE AND JOINTING MATERIAL TO BE JOINED SHALL BE CLEAN AND DRY. FOR THE INSTALLATION OF PIPE WITH THE "COMPRESSION RING" FITTING, A BELL RING LUBRICANT SHALL BE APPLIED TO THE BEVELED PORTION OF THE SPIGOT END. SUCH LUBRICANT SHALL BE OF THE TYPE AND QUALITY AS RECOMMENDED BY THE PIPE MANUFACTURER. CARE SHALL BE EXERCISED TO INSURE THAT THE COMPRESSION RING IS PROPERLY SEATED AND THE PIPE IS COMPLETELY INSERTED SO THAT THE REFERENCE MARKS ON THE SPIGOT END CAN JUST BE SEEN.

THRUST BLOCKS SHALL BE PROVIDED AT ALL POINTS WHERE THE LINE BENDS GREATER THAN 10° AND AT ALL WYES, TEES, CAPS, VALVES, HYDRANTS AND REDUCERS.

AT THE END OF EACH WORK DAY AND/OR WHEN THE PIPE IS LEFT OPEN FOR LONG PERIODS, ALL OPEN ENDS OF THE PIPE WILL BE SUFFICIENTLY COVERED TO PREVENT ENTRANCE OF TRASH OR WILDLIFE.

ANY LENGTH OF PIPE THAT HAS BEEN REJECTED BY THE ENGINEER WILL BE PROMPTLY REMOVED FROM THE JOB SITE OR DESTROYED.

CONNECTIONS WILL BE MADE TO THE EXISTING AND/OR CONSTRUCTED FACILITIES IN ACCORDANCE WITH STANDARD PLUMBING PRACTICE. ANY CONNECTIONS MADE BETWEEN ANY WATER PIPE AND ANY OTHER TUBE PIPE SHALL BE MADE USING CONNECTORS AND ADAPTERS DESIGNED FOR THE PURPOSE OF CONNECTING THE TWO TYPES OF PIPE.

SINGLE AND MULTIPLE SERVICES SHALL BE AS SPECIFIED AND SHALL BE MADE BY INSTALLING A DOUBLE STRAP SADDLE OF THE APPROPRIATE SIZE FOR THE MATERIAL USED AND A CTS THREAD ADAPTER DESIGNED FOR USE WITH THE POLYETHYLENE PIPE. THE POLYETHYLENE PIPE SHALL THEN BE INSTALLED TO THE PROPER ALIGNMENT AND DEPTH AND CONNECTED TO THE METER BOX ASSEMBLY WITH A COMPRESSION TYPE ADAPTER DESIGNED FOR USE WITH PE TUBING.


VALVE BOXES SHALL BE SET TO CONFORM ACCURATELY TO THE FINISHED PAVEMENT SURFACE. ALL ADJUSTMENTS REQUIRED FOR GRADE SHALL BE DONE AFTER ALL BASE CONSTRUCTION HAS BEEN COMPLETED. IMMEDIATELY BEFORE THE PLACEMENT OF THE FINAL ASPHALT SURFACE COURSE, THE VALVE SHALL BE UNCOVERED AND THE VALVE BOX SO PLACED AS TO ACCURATELY MEET THE FINISHED PAVEMENT GRADE. THE AREA EXCAVATED IN THE LIMEROCK BASE COURSE TO ALLOW FOR ADJUSTMENT OF THE VALVE BOX TO GRADE SHALL BE BACKFILLED WITH LIMEROCK AND COMPACTED TO THE SAME DENSITY AS THE LIMEROCK BASE COURSE.

ANY PIPE INSTALLED AND SUBSEQUENTLY REMOVED SHALL NOT BE REINSTALLED AND SHALL IMMEDIATELY BE REMOVED FROM THE JOB SITE.

CLEARANCE REQUIREMENTS

WHEN A RECLAIMED WATER/NON-POTABLE IRRIGATION LINE IS TRANSPORTING WATER FOR PUBLIC ACCESS IRRIGATION OR FIRE PROTECTION, THE MAXIMUM OBTAINABLE SEPARATION OF RECLAIMED WATER/NON-POTABLE IRRIGATION LINES AND POTABLE WATER LINES SHALL BE PRACTICED. MINIMUM SEPARATION REQUIREMENTS ARE SPECIFIED UNDER POTABLE WATER.

Drawing name: C:\Users\thomas.d'agular\AppData\Local\Temp\AcPublish_8108\W-02.3 Non Potable Water Specifications.dwg Model Jun 02, 2016 7:59am by: thomas.d'agular

	CITY OF WILDWOOD 100 NORTH MAIN STREET WILDWOOD, FLORIDA 34785 (352) 330-1330	SCALE	CITY OF WILDWOOD WATER DETAIL		DETAIL NUMBER
		NONE	NON-POTABLE WATER DISTRIBUTION SPECIFICATIONS		W-02
		LATEST REVISION			3 OF 4
		11-10-14			

TESTING

AFTER THE PIPE HAS BEEN CONNECTED AND LAID IN THE TRENCHES, ENOUGH BACKFILL BETWEEN JOINTS WILL BE MADE TO INSURE THE ANCHORAGE OF THE PIPE IN THE TRENCH AND THE LINES PRESSURE TESTED. THE CONTRACTOR SHALL FILL THE LINE WITH WATER AND INSTALL THE NECESSARY FIXTURES, PUMPS, GAUGES, ETC. TO SUBJECT THE LINES TO A HYDROSTATIC GAUGE PRESSURE OF 150 PSI.

EACH INDIVIDUAL BRANCH LINE OF LOOP SHALL BE SUBJECTED TO THE 150 PSI PRESSURE AND MAINTAINED FOR AT LEAST 15 MINUTES WITH NO LOSS OF PRESSURE. ANY DEFECTS OR LEAKS REVEALED WILL BE LOCATED AND REPAIRED AND ANOTHER PRESSURE TEST RUN BEFORE BACKFILLING.

AFTER THE TESTING OF THE INDIVIDUAL BRANCH LINES, THOSE PORTIONS OF THE LINE WILL BE APPROVED FOR BACKFILL, BUT THE JOINTS WHERE EACH BRANCH LINE CONNECTS TO A MAIN OR ANOTHER BRANCH LINE SHALL REMAIN OPEN. AFTER TESTING OF ALL BRANCH LINES AND THE COMPLETE CONNECTION OF THE ENTIRE DISTRIBUTION SYSTEM, A PRESSURE TEST WILL BE RUN ON THE ENTIRE SYSTEM. A PRESSURE OF 150 PSI WILL BE PUT ON THE SYSTEM AND WILL BE MAINTAINED FOR AT LEAST 2 HOURS WITH NO LOSS IN PRESSURE IN ACCORDANCE WITH THE PROCEDURES SPECIFIED IN AWWA MANUAL NO. 23. AFTER THE SYSTEM MAINTAINS THE TEST PRESSURE, THE ENTIRE SYSTEM MAY BE BACKFILLED.

ALL NON-POTABLE WATER DISTRIBUTION SYSTEM PRESSURE TESTING SHALL BE COMPLETED A MINIMUM OF 30 DAYS PRIOR TO THE SUBSTANTIAL COMPLETION DATE OR AS REQUIRED BY THE CITY ENGINEER.

BACKFILLING

TRENCHES SHALL BE BACKFILLED WITH THE EXCAVATED MATERIALS FROM WHICH LARGE CLODS OR STONES HAVE BEEN REMOVED AND SHALL BE CAREFULLY DEPOSITED IN LAYERS NOT TO EXCEED 12" AND THOROUGHLY AND CAREFULLY RAMMED UNTIL ENOUGH FILL HAS BEEN PLACED TO PROVIDE A COVER OF NOT LESS THAN 2' ABOVE THE PIPE. THE REMAINDER OF THE BACKFILL MATERIAL MAY THEN BE PLACED AND SHOULD BE MOISTENED AND TAMPED TO INSURE PROPER COMPACTION.


BACKFILL SHALL NOT BE PLACED OVER ANY PLASTIC PIPE WHILE IT IS IN A HEATED CONDITION. BEFORE BACKFILLING THE PIPE, THE TEMPERATURE SHALL BE BROUGHT TO THE APPROXIMATE TEMPERATURE OF THE GROUND EITHER BY RUNNING WATER THROUGH IT OR BY BACKFILLING IN THE EARLY MORNING WHEN THE PIPE AND GROUND ARE AT THE SAME TEMPERATURE.

WHENEVER THE TRENCHES HAVE NOT BEEN PROPERLY FILLED, OR IF SETTLEMENT OCCURS, THEY SHALL BE REFILLED, COMPACTED, SMOOTHED OFF, AND FINALLY MADE TO CONFORM TO THE SURFACE OF THE GROUND. BACKFILL IN OPEN TRENCHES ACROSS ROADWAYS OR OTHER AREAS WHICH ARE TO BE REPAVED SHALL BE MADE AS SPECIFIED ABOVE EXCEPT THAT THE ENTIRE FILL ABOVE PIPE SHALL BE DEPOSITED IN LAYERS NOT TO EXCEED 12" IN THICKNESS, MOISTENED AND COMPACTED TO 98% OF MAXIMUM DENSITY AS DETERMINED BY AASHTO T-180 SO THAT WHEN BACKFILLING IS COMPLETED, THE ROADWAY PAVING MAY BE PLACED IMMEDIATELY.

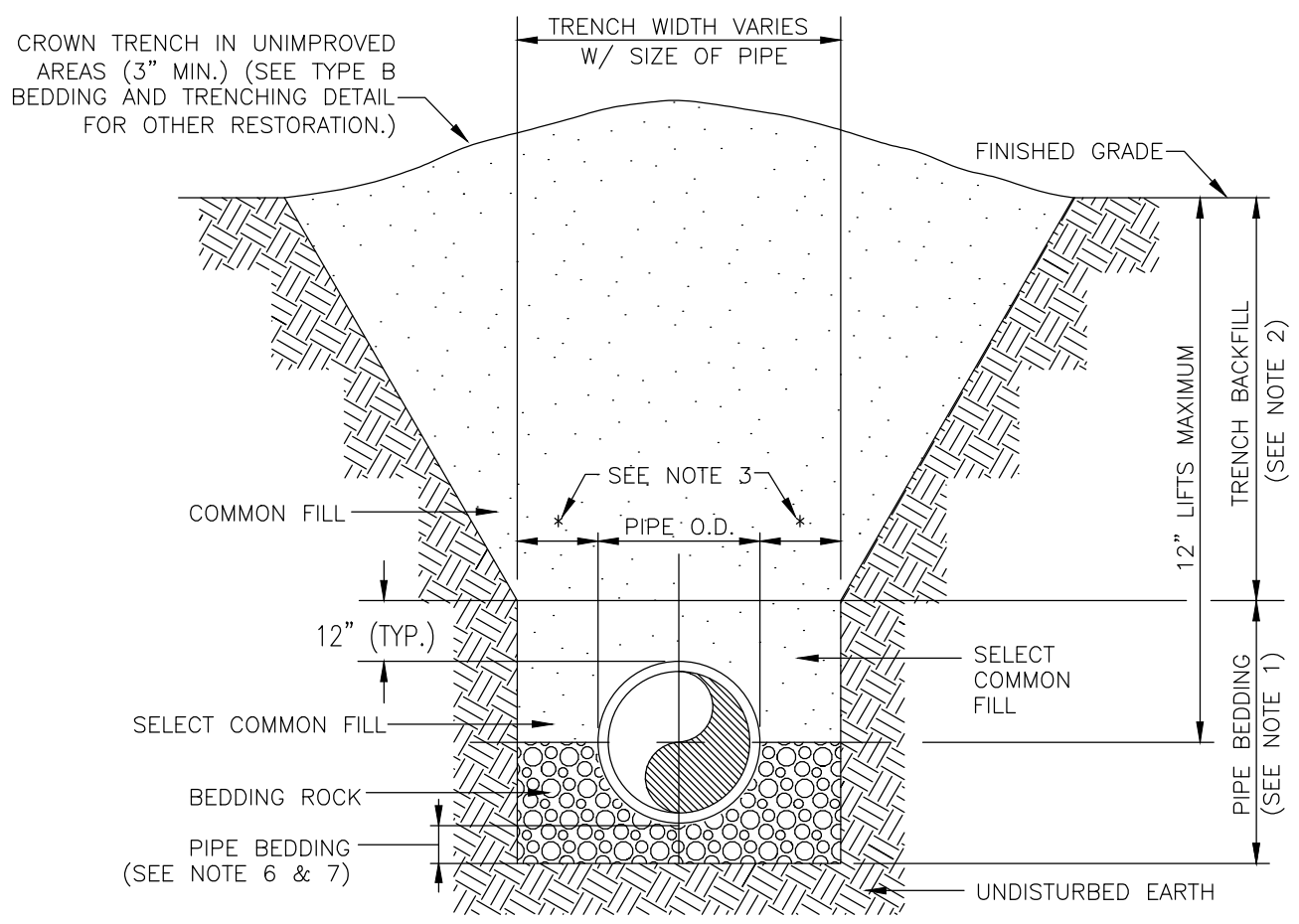
PLUMBING CODE

ALL PIPING AND RELATED FITTING SHALL BE INSTALLED ACCORDING TO THE PLUMBING CODE OF THE STATE OF FLORIDA, LOCAL AUTHORITIES AND MANUFACTURER'S RECOMMENDATIONS. WHEREVER THESE SPECIFICATIONS AND/OR DRAWINGS EXCEED THE REQUIREMENTS OF SAID CODES, THESE DOCUMENTS TAKE PRECEDENCE. THE PIPING MUST BE INSTALLED IN A STRONG, NEAT AND WORKMANLIKE MANNER, SUBJECT TO THE RESTRICTIONS INDICATED.

Drawing name: G:\Cities and Counties\Wildwood\Standard Details\WATER\W-02.4 Non Potable Water Specifications.dwg Model Jun 07, 2016 1:53pm by: thomas.d.gujar

	CITY OF WILDWOOD 100 NORTH MAIN STREET WILDWOOD, FLORIDA 34785 (352) 330-1330	SCALE	CITY OF WILDWOOD WATER DETAIL		DETAIL NUMBER
		NONE	NON-POTABLE WATER DISTRIBUTION SPECIFICATIONS		W-02
		LATEST REVISION			4 OF 4
		11-10-14			

Drawing name: G:\Cities and Counties\Wildwood\Standard Details\WATER\W-03 Bedding Type A.dwg Model Jun 07, 2016 1:54pm by: thomas.d.guilar

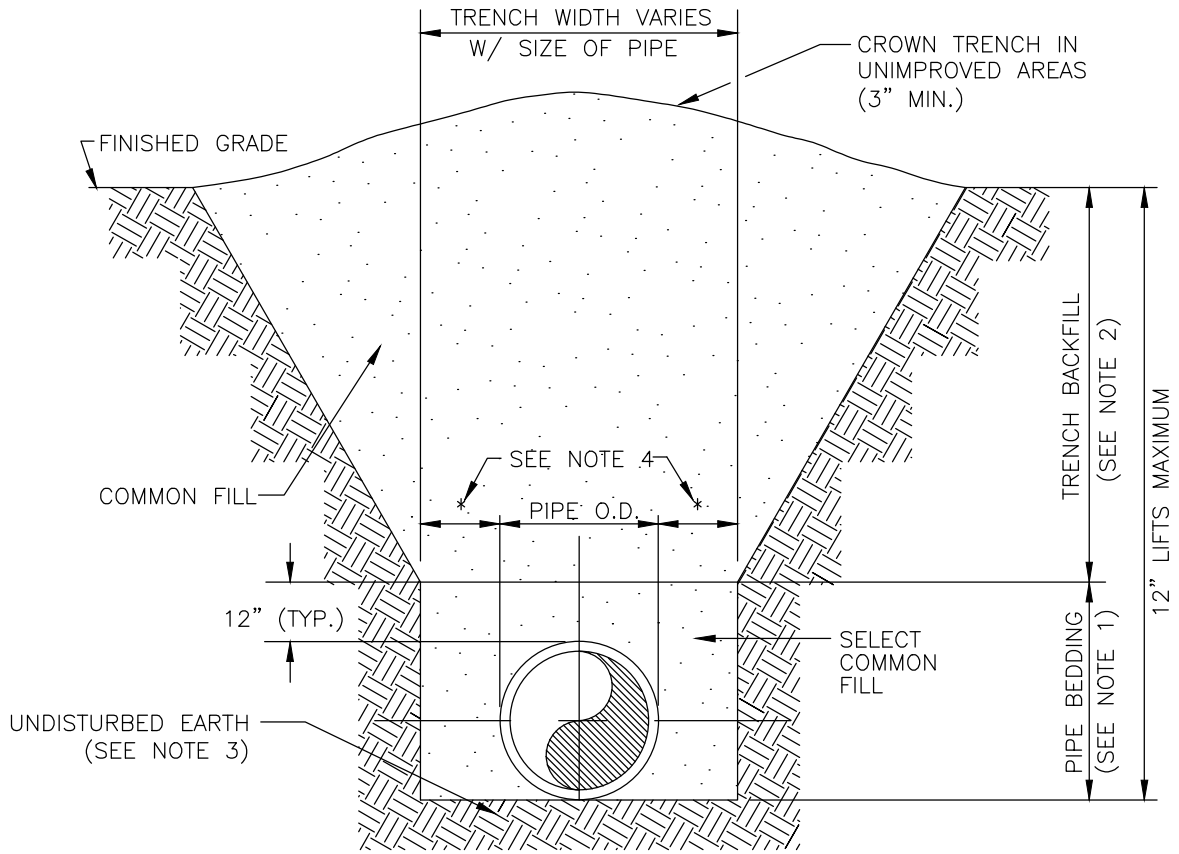


NOTES:

1. PIPE BEDDING: SELECT COMMON FILL COMPACTED TO 95% OF THE MAXIMUM DENSITY AS PER AASHTO T-180.
2. TRENCH BACKFILL: COMMON FILL COMPACTED TO 95% (98% UNDER ROADWAYS) OF THE MAXIMUM DENSITY AS PER AASHTO T-180.
3. (*): 15" MAX. FOR PIPE DIAMETER LESS THAN 24", AND 24" MAX. FOR PIPE DIAMETER 24" AND LARGER.
4. WATER SHALL NOT BE PERMITTED IN THE TRENCH DURING CONSTRUCTION.
5. ALL PIPE TO BE INSTALLED WITH BELL FACING UPSTREAM TO THE DIRECTION OF THE FLOW.
6. WHEN REQUIRED BY THE ENGINEER, GRAVITY SEWERS SHALL UTILIZE TYPE A BEDDING. BEDDING DEPTH SHALL BE 4" MINIMUM FOR PIPE DIAMETER LESS THAN 15", AND 6" MINIMUM FOR PIPE DIAMETER 16" AND LARGER.
7. DEPTH FOR REMOVAL OF UNSUITABLE MATERIAL SHALL GOVERN DEPTH OF BEDDING ROCK BELOW THE PIPE. THE REQUIRED REMOVAL OF UNSUITABLE MATERIAL TO REACH SUITABLE FOUNDATION WILL BE DETERMINED IN THE FIELD BY THE ENGINEER.

<p>CITY OF WILDWOOD 100 NORTH MAIN STREET WILDWOOD, FLORIDA 34785 (352) 330-1330</p>	SCALE NONE	CITY OF WILDWOOD WATER DETAIL	DETAIL NUMBER
	LATEST REVISION 11-10-14	TYPE A BEDDING AND TRENCHING DETAIL	W-03 1 OF 1

Drawing name: G:\Cities and Counties\Wildwood\Standard Details\WATER\W-04 Bedding_Type B.dwg Model Jun 07, 2016 1:54pm by: thomas.d.guilar

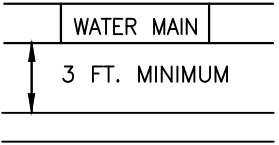
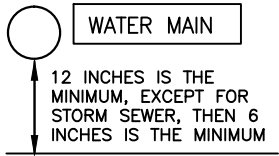
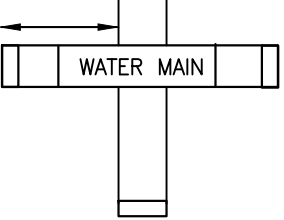
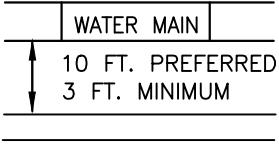
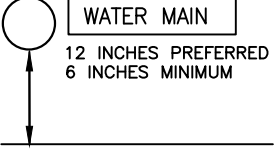
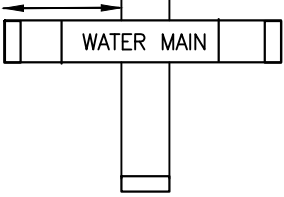
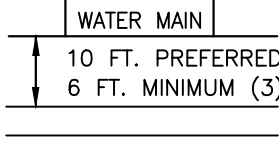
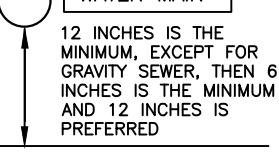
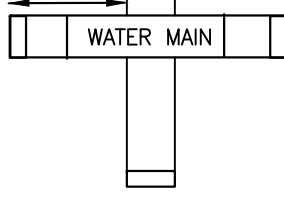


NOTES:

1. PIPE BEDDING: SELECT COMMON FILL COMPACTED TO 95% OF THE MAXIMUM DENSITY AS PER AASHTO T-180.
2. TRENCH BACKFILL: COMMON FILL COMPACTED TO 95% (98% UNDER ROADWAYS) OF THE MAXIMUM DENSITY AS PER AASHTO T-180.
3. PIPE BEDDING UTILIZING SELECT COMMON FILL OR BEDDING ROCK IN ACCORDANCE WITH TYPE A BEDDING AND TRENCHING DETAIL MAY BE REQUIRED AS DIRECTED BY THE ENGINEER.
4. (*): 15" MAX. FOR PIPE DIAMETER LESS THAN 24", AND 24" MAX. FOR PIPE DIAMETER 24" AND LARGER.
5. WATER SHALL NOT BE PERMITTED IN THE TRENCH DURING CONSTRUCTION.
6. ALL PIPE TO BE INSTALLED WITH BELL FACING UPSTREAM TO THE DIRECTION OF THE FLOW.
7. FINAL RESTORATION SHALL BE IN COMPLIANCE WITH ALL APPLICABLE REGULATIONS OF GOVERNING AGENCIES.

 CITY OF WILDWOOD 100 NORTH MAIN STREET WILDWOOD, FLORIDA 34785 (352) 330-1330	SCALE NONE	CITY OF WILDWOOD WATER DETAIL		DETAIL NUMBER
	LATEST REVISION 11-10-14	TYPE B BEDDING AND TRENCHING DETAIL		W-04 1 OF 1

LOCATION OF PUBLIC WATER SYSTEM MAINS IN ACCORDANCE WITH F.A.C. RULE 62-555.314

OTHER PIPE	HORIZONTAL SEPARATION	CROSSINGS (1)	JOINT SPACING @ CROSSINGS (FULL JOINT CENTERED)
STORM SEWER, STORMWATER FORCE MAIN, RECLAIMED WATER (2)	 <p>3 FT. MINIMUM</p>	 <p>12 INCHES IS THE MINIMUM, EXCEPT FOR STORM SEWER, THEN 6 INCHES IS THE MINIMUM</p>	<p>ALTERNATE 3 FT. MINIMUM</p> 
VACUUM SANITARY SEWER	 <p>10 FT. PREFERRED 3 FT. MINIMUM</p>	 <p>12 INCHES PREFERRED 6 INCHES MINIMUM</p>	<p>ALTERNATE 3 FT. MINIMUM</p> 
GRAVITY OR PRESSURE SANITARY SEWER, SANITARY SEWER FORCE MAIN, RECLAIMED WATER (4)	 <p>10 FT. PREFERRED 6 FT. MINIMUM (3)</p>	 <p>12 INCHES IS THE MINIMUM, EXCEPT FOR GRAVITY SEWER, THEN 6 INCHES IS THE MINIMUM AND 12 INCHES IS PREFERRED</p>	<p>ALTERNATE 6 FT. MINIMUM</p> 
ON-SITE SEWAGE TREATMENT & DISPOSAL SYSTEM	10 FT. MINIMUM		

NOTES

1. WATER MAIN SHOULD CROSS ABOVE OTHER PIPE. WHEN WATER MAIN MUST BE BELOW OTHER PIPE, THE MINIMUM SEPARATION IS 12 INCHES.
2. RECLAIMED WATER REGULATED UNDER PART III OF CHAPTER 62-610, F.A.C.
3. 3 FT. FOR GRAVITY SANITARY SEWER WHERE THE BOTTOM OF THE WATER MAIN IS LAID AT LEAST 6 INCHES ABOVE THE TOP OF THE GRAVITY SANITARY SEWER.
4. RECLAIMED WATER NOT REGULATED UNDER PART III OF CHAPTER 62-610, F.A.C.

Drawing name: G:\Cities and Counties\Wildwood\Standard Details\WATER\W-05 Pipe Separation.dwg Model Jun 07, 2016 1:55pm by: thomas.d.guilar



CITY OF WILDWOOD
100 NORTH MAIN STREET
WILDWOOD, FLORIDA 34785
(352) 330-1330

SCALE
NONE
LATEST REVISION
11-10-14

CITY OF WILDWOOD WATER DETAIL
SEPARATION OF WATER MAINS

DETAIL NUMBER
W-05
1 OF 1

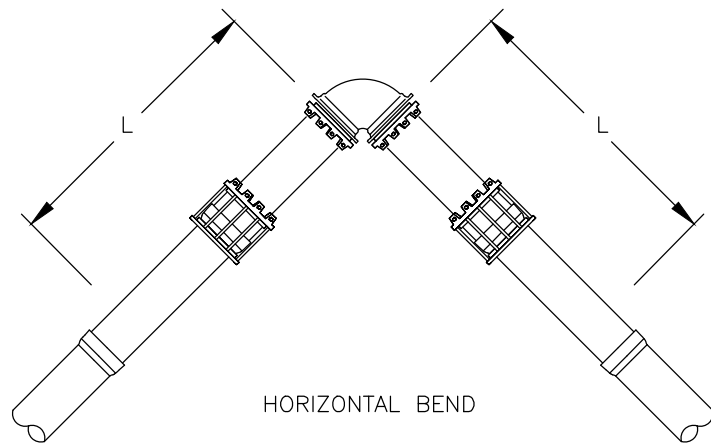
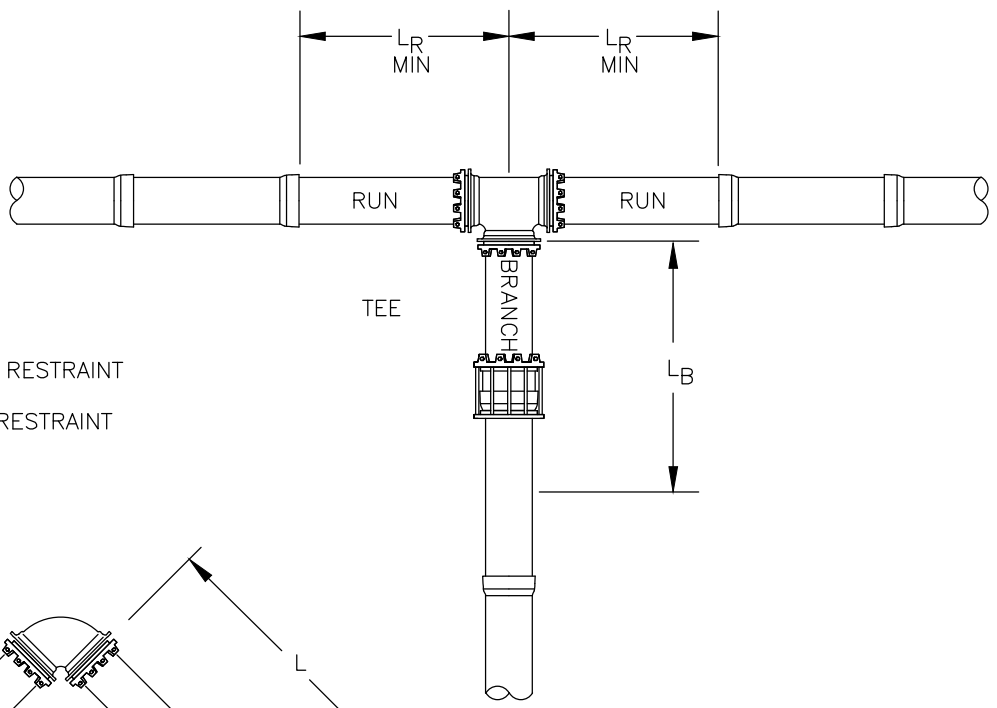
Drawing name: C:\Users\thomas.d\aguar\AppData\local\temp\AcPublish_8108\W-06.1 Mechanical Joint Restraints.dwg Model Jun 02, 2016 8:02am by: thomas.d\aguar

DI FITTING RESTRAINTS:
 TYLER-UNION 1000 TUF GRIP
 OR
 EBBA SERIES 1100 MEGALUG

DI PIPE BELL RESTRAINTS:
 EBBA SERIES 1700 SPLIT BELL
 RESTRAINT

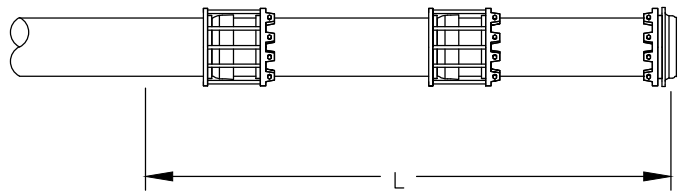
PVC C900 FITTING RESTRAINTS:
 TYLER-UNION 2000 TUF GRIP
 OR
 EBBA SERIES 2000 MEGALUG

PVC PIPE BELL RESTRAINTS:
 TYLER SERIES 3000 SPLIT BELL RESTRAINT
 OR
 EBBA SERIES 1900 SPLIT BELL RESTRAINT

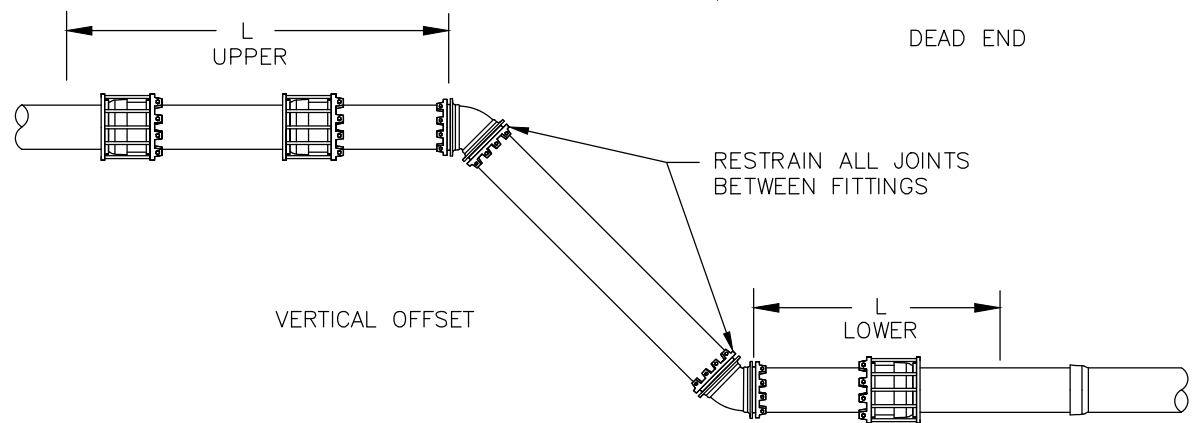


HORIZONTAL BEND


ALL JOINTS WITHIN LENGTH "L" OF FITTING MUST BE RESTRAINED.



DEAD END



VERTICAL OFFSET

 CITY OF WILDWOOD 100 NORTH MAIN STREET WILDWOOD, FLORIDA 34785 (352) 330-1330	SCALE NONE	CITY OF WILDWOOD WATER DETAIL	DETAIL NUMBER
	LATEST REVISION 11-10-14	MECHANICAL JOINT RESTRAINTS	W-06 1 OF 2

MINIMUM LENGTH OF PIPE "L" (FEET) TO BE RESTRAINED
 (SOURCES: EBBA IRON RESTRAINT LENGTH CALCULATION PROGRAM FOR PVC PIPE, RELEASE 3.1, AND DIPRA THRUST RESTRAINT FOR DUCTILE IRON PIPE, RELEASE 3.2)

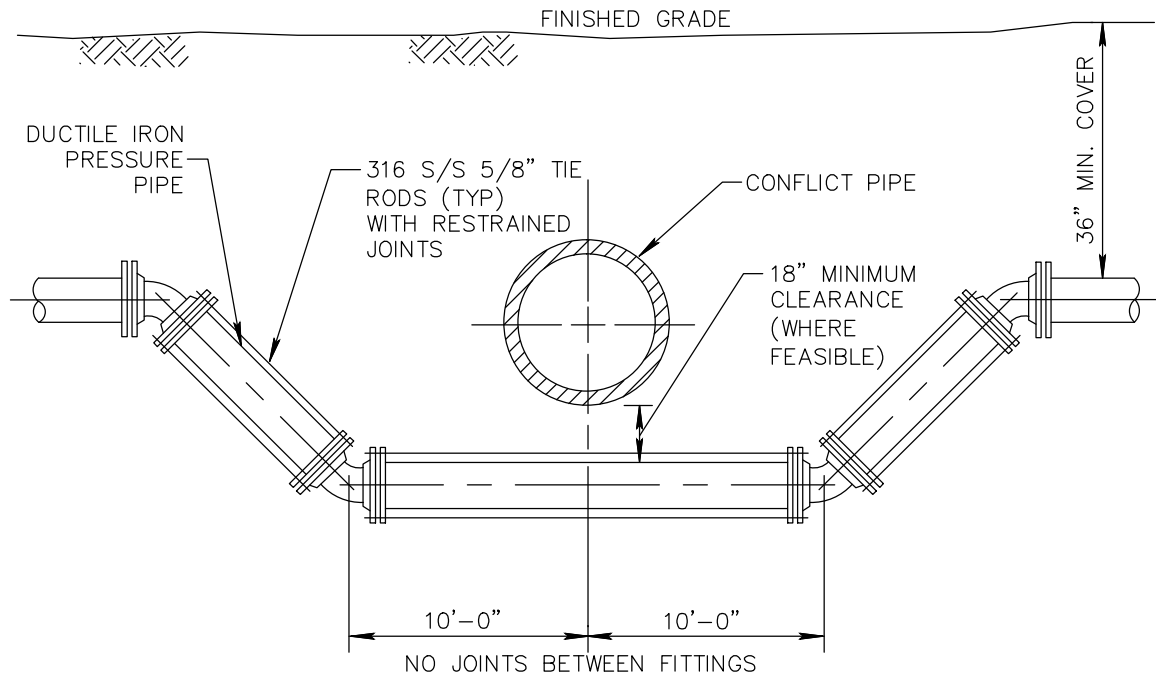
FITTING TYPE		PIPE SIZE								
		4"	6"	8"	10"	12"	14"	16"	20"	24"
90° HORIZ. BEND		17	24	31	37	43	49	55	66	76
45° HORIZ. BEND		7	10	13	15	18	20	23	28	32
22.5° HORIZ. BEND		3	5	6	7	9	10	11	13	15
11.25° HORIZ. BEND		2	2	3	4	5	5	6	7	8
45° VERT. OFFSET	UPPER BEND	16	22	29	34	41	46	52	64	74
	LOWER BEND	7	10	13	15	18	20	23	28	32
22.5° VERT. OFFSET	UPPER BEND	7	12	15	17	20	22	25	31	36
	LOWER BEND	3	5	6	7	9	10	11	13	15
11.25° VERT. OFFSET	UPPER BEND	4	5	7	8	11	12	14	16	18
	LOWER BEND	2	2	3	4	4	5	7	7	8
PLUG (DEAD END)		38	53	69	83	98	112	129	153	179
VALVE		38	53	69	83	98	112	129	153	179
TEE (BRANCH REST.)	4"X *	19	—	—	—	—	—	—	—	—
	6"X *	10	35	—	—	—	—	—	—	—
	8"X *	1	28	51	—	—	—	—	—	—
	10"X *	1	28	46	64	—	—	—	—	—
	12"X *	1	15	40	60	79	—	—	—	—
	14"X *	1	8	35	56	75	92	—	—	—
	16"X *	1	1	29	51	71	90	106	—	—
	20"X *	1	1	18	42	64	85	101	133	—
24"X *	1	1	5	32	55	77	95	128	158	
REDUCER (LARGER PIPE RESTRAINT)	6"X *	27	—	—	—	—	—	—	—	—
	8"X *	50	29	—	—	—	—	—	—	—
	10"X *	68	51	28	—	—	—	—	—	—
	12"X *	85	71	52	48	—	—	—	—	—
	14"X *	101	89	73	69	29	—	—	—	—
	16"X *	117	106	92	89	54	29	—	—	—
	20"X *	146	138	126	113	96	77	54	—	—
24"X *	173	166	157	146	132	98	77	54	—	

NOTES:

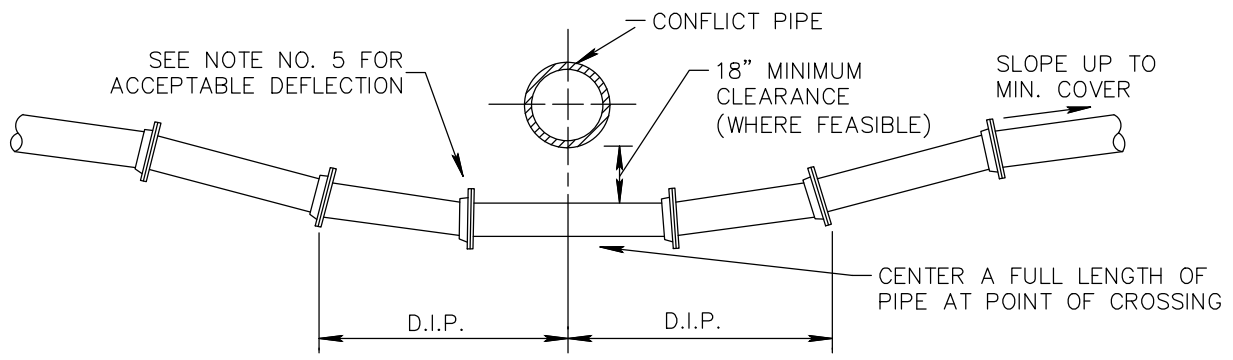
- THE DATA IN THE ABOVE TABLE ARE BASED UPON THE FOLLOWING INSTALLATION CONDITIONS:
 SOIL TYPE – SP TRENCH TYPE – 3 TEST PRESSURE – 150 PSI
 SAFETY FACTOR – 1.5 DEPTH OF BURY – 3' VERTICAL OFFSET – 3'
- THE RESTRAINED PIPE LENGTHS APPLY TO DUCTILE IRON AND PVC PIPE.
- ALL JOINTS BETWEEN UPPER AND LOWER BENDS SHALL BE RESTRAINED.
- RESTRAINED PIPE LENGTHS FOR VALVES APPLY TO PIPE ON BOTH SIDES OF VALVES.
- THIS TABLE IS FOR SP SOILS. THE ENGINEER IS TO BE NOTIFIED IF OTHER TYPE SOILS ARE ENCOUNTERED.
- ALL PIPES SHALL BE RESTRAINED PER THE LENGTHS AS CALLED FOR IN THE ABOVE REFERENCED TABLE. THE COSTS FOR THESE RESTRAINED JOINTS SHALL BE CONSIDERED INCIDENTAL TO THE COST OF THE PIPE.
- ANY CALL OUTS AS NOTED ON THE PLANS FOR "TUF GRIP" RESTRAINTS OR "MEGALUGS" ARE IN ADDITION TO THOSE AS NOTED AND CALLED FOR IN THE ABOVE TABLE.

Drawing name: G:\Cities and Counties\Wildwood\Standard Details\WATER\W-06.2 Mechanical Joint Restraints.dwg Model Oct 24, 2018 10:39am by: Jennifer.Hofner

Drawing name: C:\Users\thomas.d\aguiar\appdata\local\temp\AcPublish_8108\W-07 Water Main Bypass.dwg Model Jun 02, 2016 8:03am by: thomas.d\aguiar



FITTING TYPE



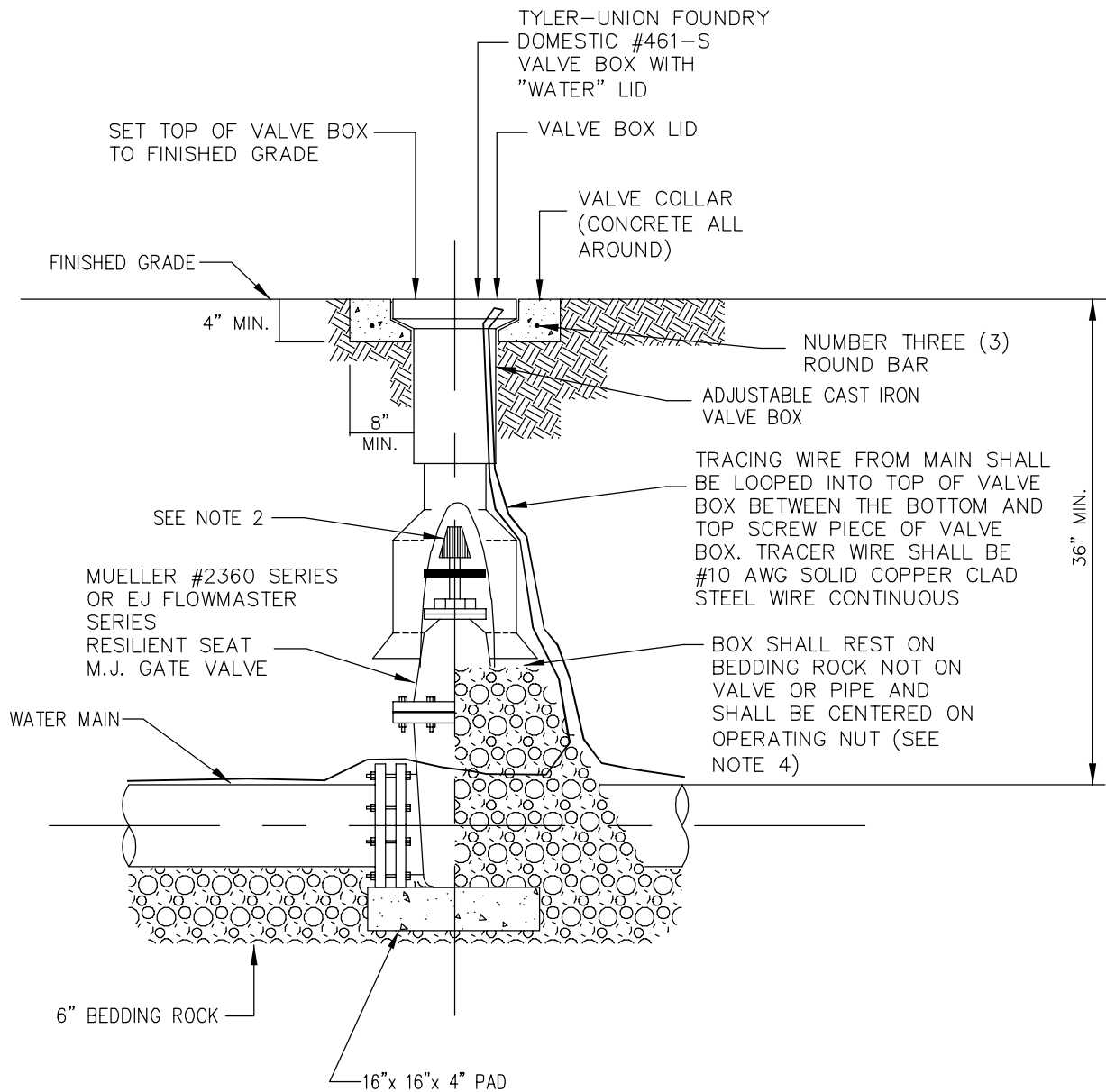
DEFLECTION TYPE

NOTES

1. THERE SHALL BE IN ALL CASES A MINIMUM OF 18" VERTICAL SEPARATION BETWEEN WATER MAINS AND FORCE MAINS.
2. WHEREVER POSSIBLE WATER MAINS SHALL PASS OVER FORCE MAINS OR STORM SEWERS.
3. FITTINGS SHALL BE RESTRAINED WITH TUF GRIP OR MEGALUG RESTRAINTS
4. THE DEFLECTION TYPE CROSSING IS PREFERRED.
5. DO NOT EXCEED 75% OF MANUFACTURERS RECOMMENDED MAXIMUM JOINT DEFLECTION.
6. REFER TO TYPICAL RESTRAINING DETAIL W-06


<p>CITY OF WILDWOOD 100 NORTH MAIN STREET WILDWOOD, FLORIDA 34785 (352) 330-1330</p>	SCALE NONE	CITY OF WILDWOOD WATER DETAIL	DETAIL NUMBER
	LATEST REVISION 11-13-14	WATER/ SEWER PIPE CONFLICT DETAIL	W-07 1 OF 1

Drawing name: G:\Cities and Counties\Wildwood\Standard Details\WATER\W-08 Gate Valve.dwg Model Sep 13, 2019 10:19am by: Zach.Allison

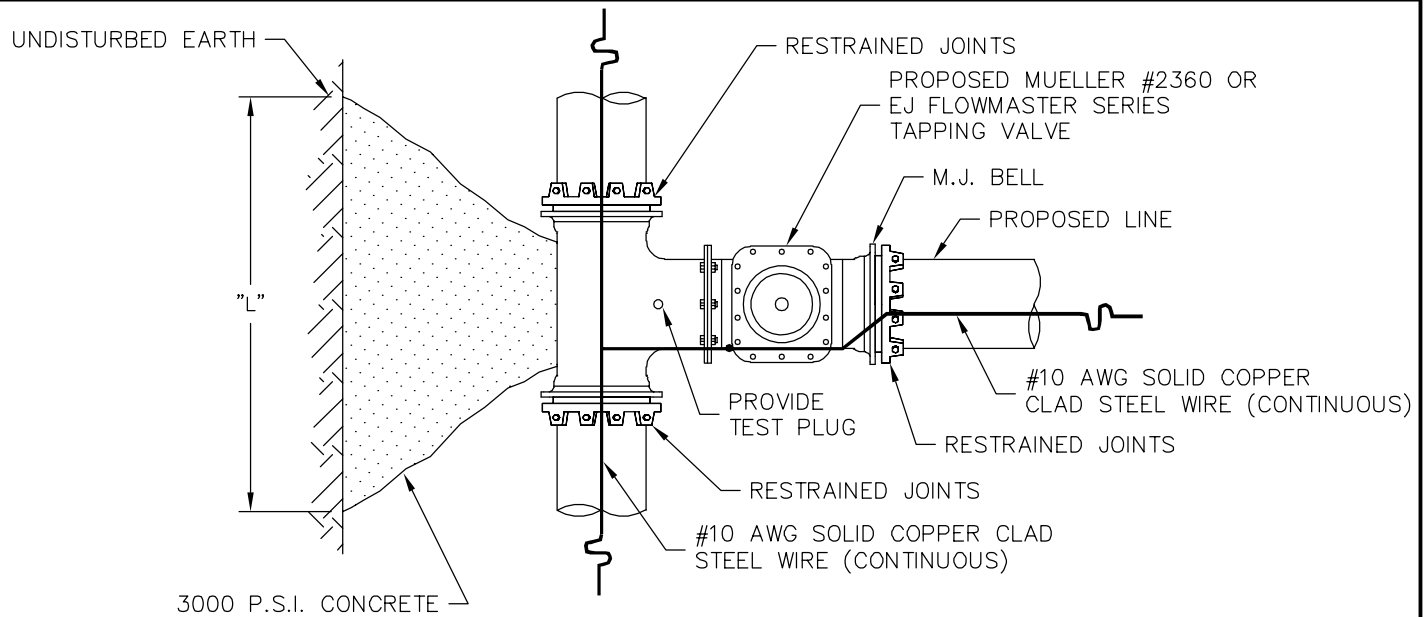


NOTES:

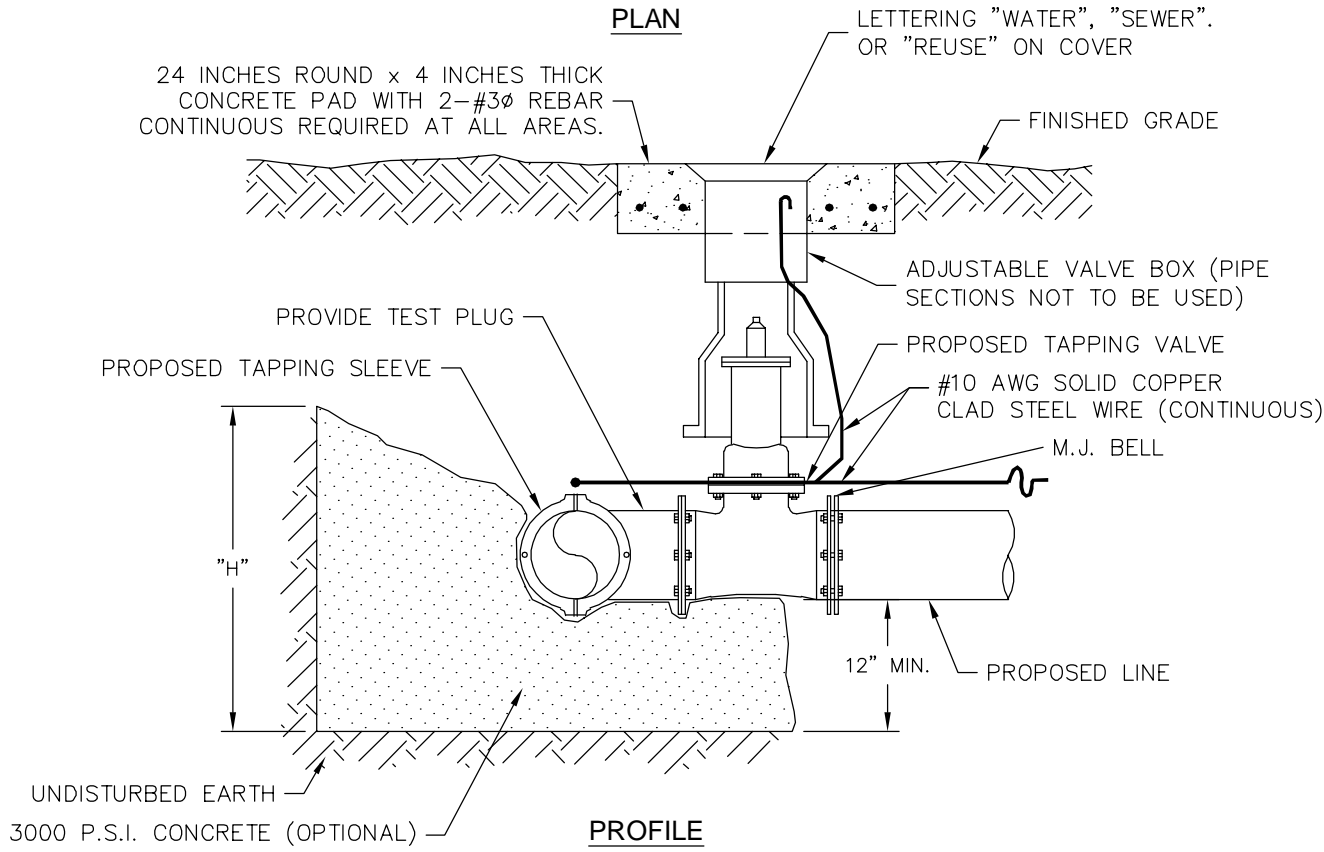
1. PVC EXTENSIONS SHALL NOT BE USED ON VALVE BOX INSTALLATION.
2. THE ACTUATING NUT FOR DEEPER VALVES SHALL BE EXTENDED TO 4 FOOT DEPTH BELOW FINISHED GRADE.
3. GATE VALVES SHALL BE USED WITH ALL WATER MAINS UP TO TWELVE (12) INCHES, BUTTERFLY VALVES SHALL BE USED FOR ALL LARGER SIZES.
4. WHEN VALVE BOX IS TO BE INSTALLED IN ROADWAY OR OTHER TRAFFIC AREAS SET VALVE BOX ON FIVE (5) SOLID BRICKS.

 <p>CITY OF WILDWOOD 100 NORTH MAIN STREET WILDWOOD, FLORIDA 34785 (352) 330-1330</p>	SCALE NONE	CITY OF WILDWOOD WATER DETAIL	DETAIL NUMBER
	LATEST REVISION 09-12-19	GATE VALVE AND BOX DETAIL	W-08 1 OF 1

Drawing name: G:\Cities and Counties\Wildwood\Standard Details\WATER\W-10 Tapping Sleeve.dwg Model Sep 13, 2019 11:27am by Zach.Allison



PLAN



PROFILE

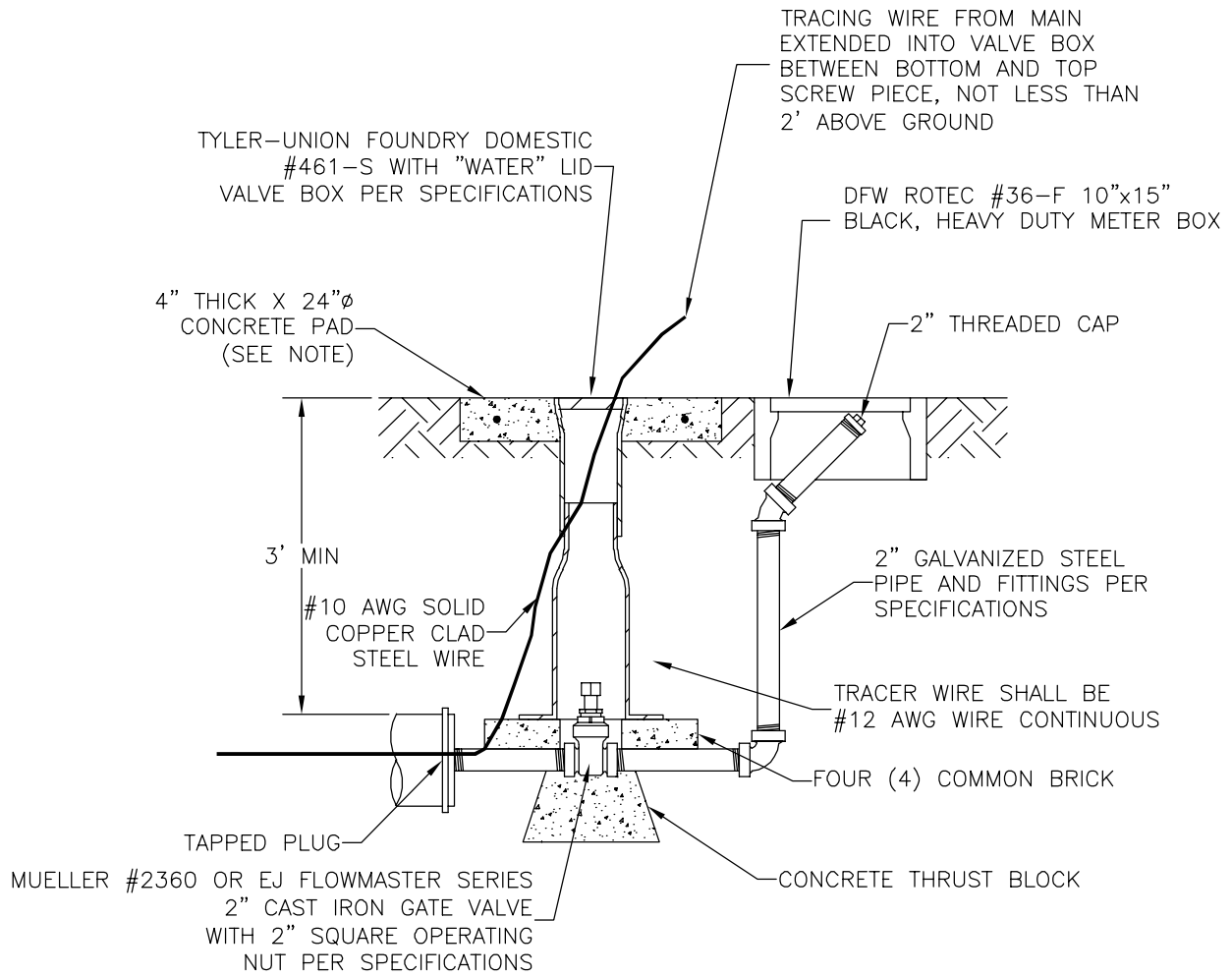
RUN	BRANCH													
	4 INCH		6 INCH		8 INCH		10 INCH		12 INCH		14 INCH			
	L	H	L	H	L	H	L	H	L	H	L	H	L	H
4 INCH	15	20												
6 INCH	15	20	23	30										
8 INCH	15	20	23	30	31	39								
10 INCH	15	20	23	30	31	39	40	48						
12 INCH	15	20	23	30	31	39	40	48	48	57				
16 INCH	15	20	23	30	31	39	40	48	48	57	62	78		
18 INCH	15	20	23	30	31	39	40	48	48	57	62	78		
20 INCH	15	20	23	30	31	39	40	48	48	57	62	78		
24 INCH	15	20	23	30	31	39	40	48	48	57	62	78		
30 INCH	15	20	23	30	31	39	40	48	48	57	62	78		


DIMENSIONS ARE INCHES

- NOTES:**
1. VALVE STEM MAXIMUM DEPTH 36 INCHES TO FINISHED GRADE.
 2. VALVE STEM EXTENSION SHALL BE SECURED WITH A STAINLESS STEEL SET SCREW TO THE OPERATING NUT, AND SUPPLIED WITH A STAINLESS STEEL CENTERING RING(S).
 3. VALVE BOX RISER SHALL BE SUPPLIED BY VALVE BOX MANUFACTURER. P.V.C. RISER SHALL NOT BE ALLOWED.
 4. NO TAP SHALL BE MADE BEFORE A TEST OF 150 P.S.I. FOR 30 MINUTES IS PERFORMED ON THE VALVE AND SLEEVE ASSEMBLY WITH ZERO LOSS, WITH THE VALVE IN THE OPEN POSITION AND PLUGGED OR CAPPED.

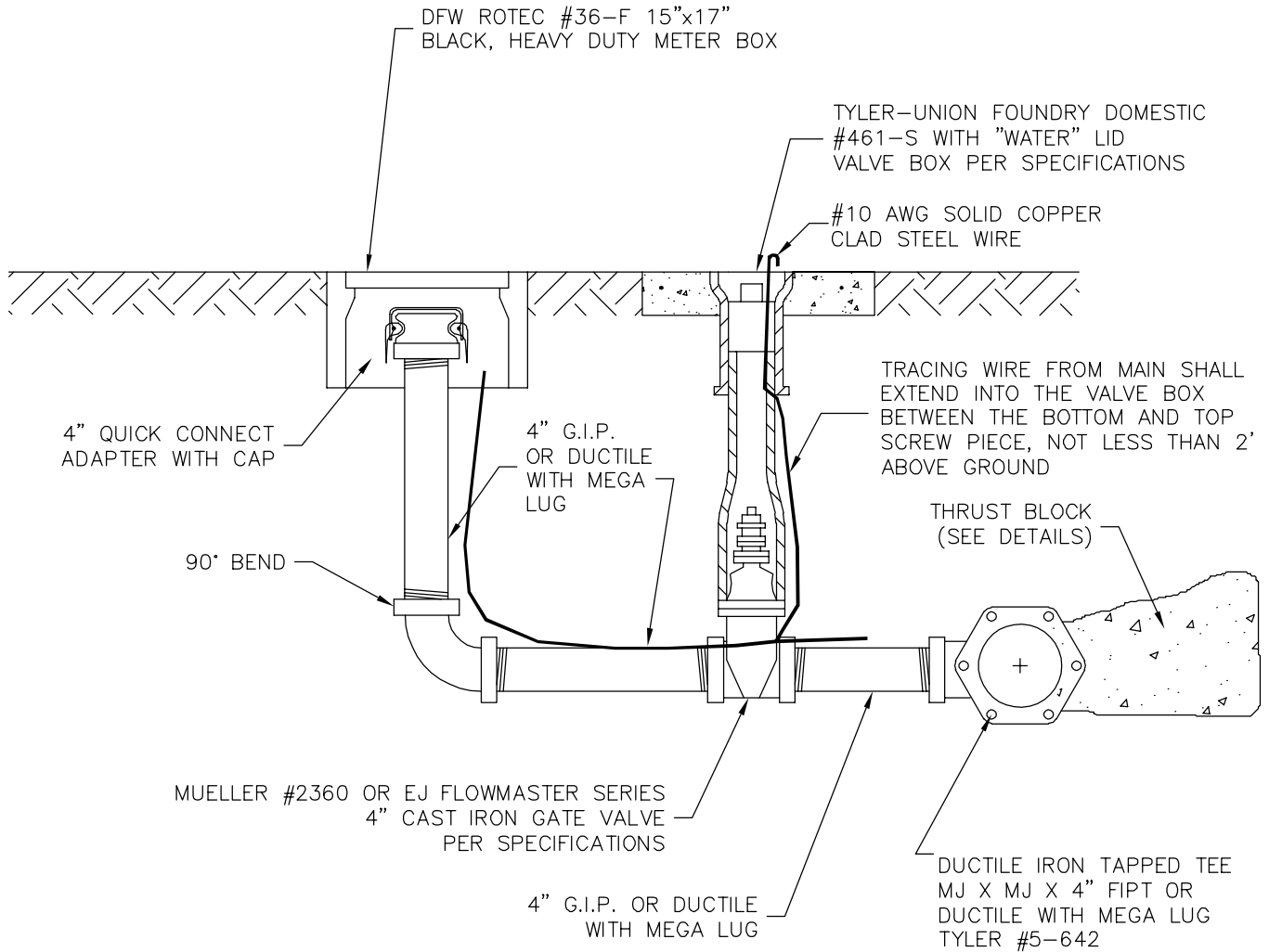
<p>CITY OF WILDWOOD 100 NORTH MAIN STREET WILDWOOD, FLORIDA 34785 (352) 330-1330</p>	<p>SCALE NONE</p>	<p>CITY OF WILDWOOD WATER DETAIL</p>	<p>DETAIL NUMBER W-10</p>
	<p>LATEST REVISION 09-12-19</p>	<p>TAPPING SLEEVE AND VALVE</p>	<p>1 OF 1</p>


Drawing name: G:\Cities and Counties\Wildwood\Standard Details\WATER\W-11 Blow Off-2.dwg Model Sep 12, 2019 4:36pm by: Zach.Allison



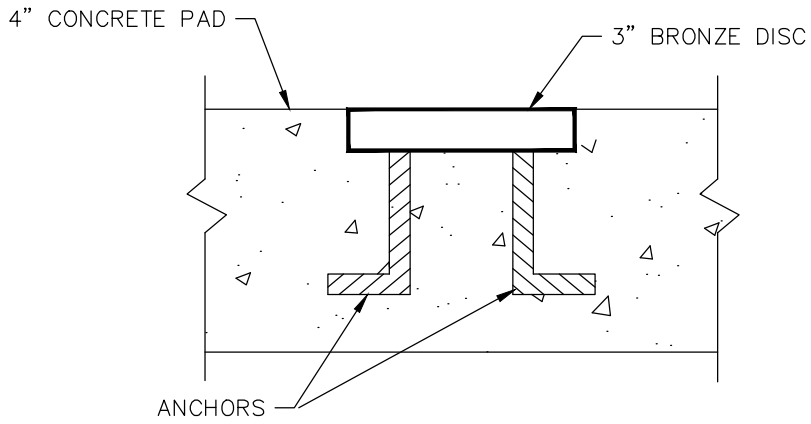
 <p>CITY OF WILDWOOD 100 NORTH MAIN STREET WILDWOOD, FLORIDA 34785 (352) 330-1330</p>	SCALE NONE	CITY OF WILDWOOD WATER DETAIL		DETAIL NUMBER
	LATEST REVISION 09-12-19	2" BLOW-OFF		W-11 1 OF 1

Drawing name: G:\Cities and Counties\Wildwood\Standard Details\WATER\W-12 Blow Off-4.dwg Model Sep 12, 2019 4:42pm by: Zach.Allison

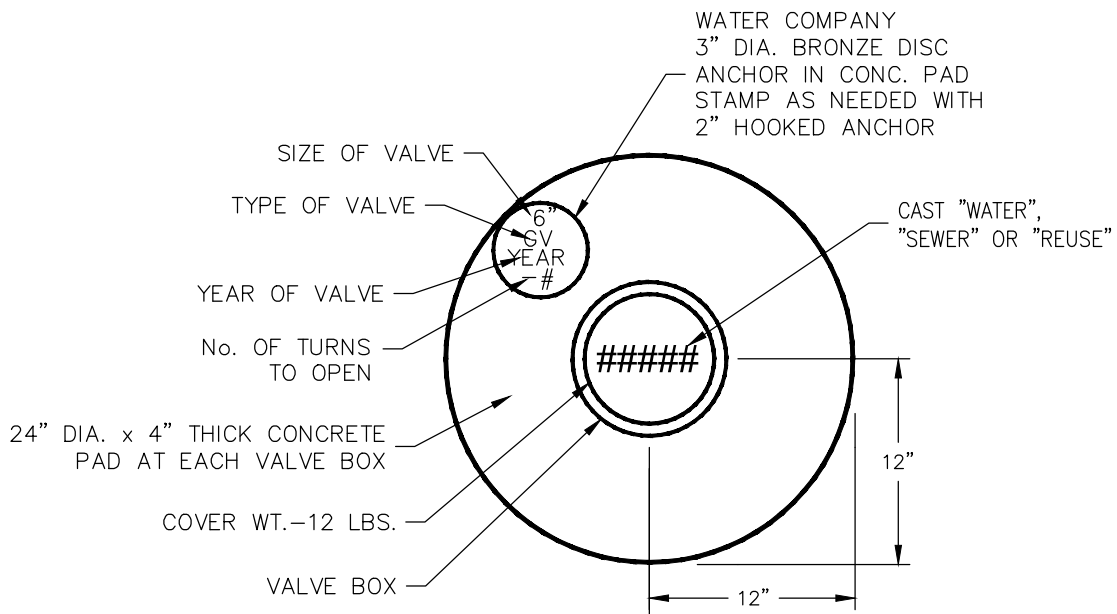


	CITY OF WILDWOOD 100 NORTH MAIN STREET WILDWOOD, FLORIDA 34785 (352) 330-1330	SCALE NONE	CITY OF WILDWOOD WATER DETAIL	DETAIL NUMBER
		LATEST REVISION 09-12-19	4" BLOW-OFF	W-12 1 OF 1

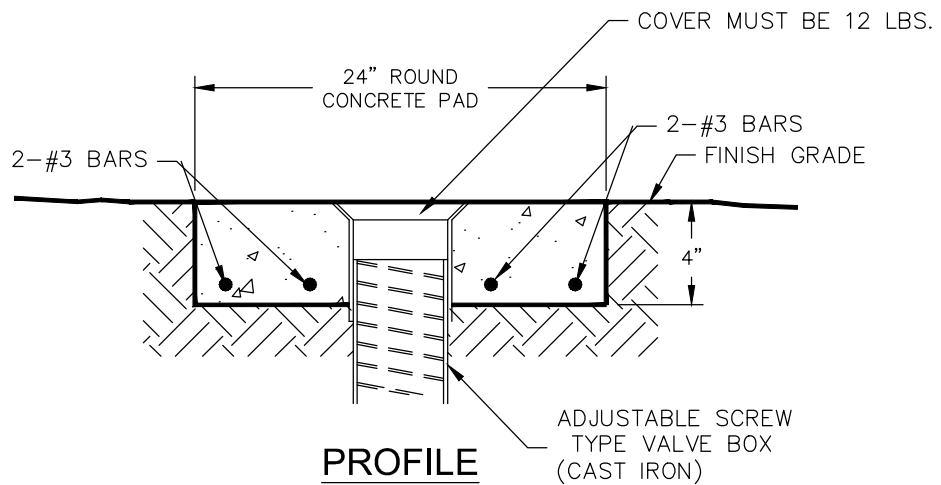
Drawing name: C:\Users\thomas.d\aguiar\AppData\local\temp\AcPublish...8108\W-13 Concrete Valve Pad.dwg Model Jun 02, 2016 8:05am by: thomas.d\aguiar




DISC DETAIL



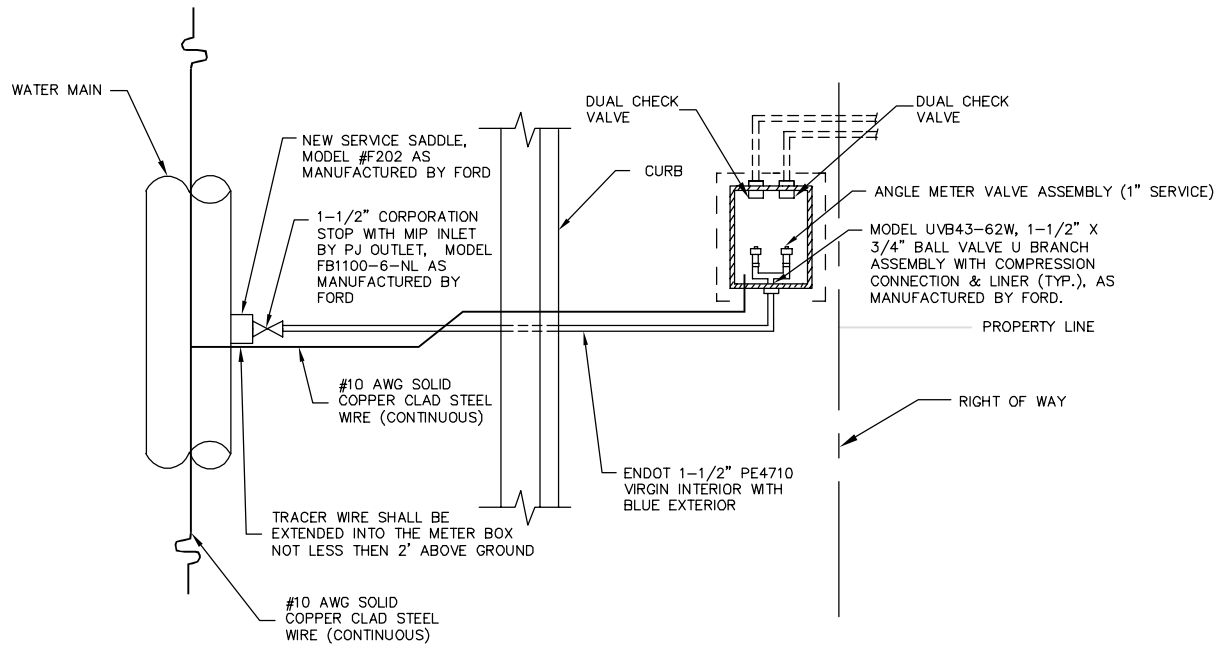
PLAN



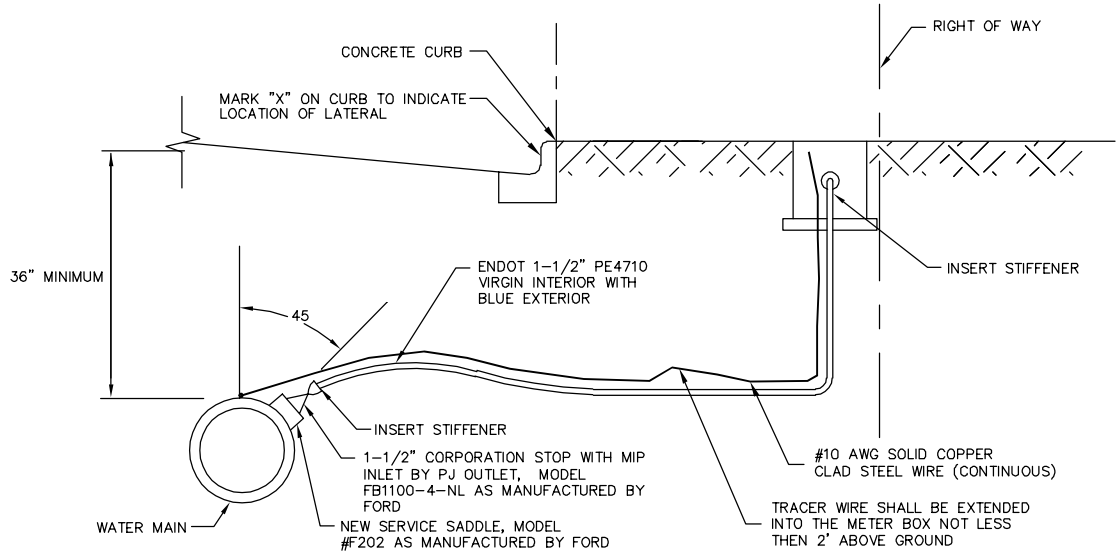
PROFILE

 <p>CITY OF WILDWOOD 100 NORTH MAIN STREET WILDWOOD, FLORIDA 34785 (352) 330-1330</p>	<p>SCALE NONE</p>	<p>CITY OF WILDWOOD WATER DETAIL</p>	<p>DETAIL NUMBER</p>
	<p>LATEST REVISION 11-10-14</p>	<p>CONCRETE VALVE PAD</p>	<p>W-13 1 OF 1</p>

Drawing name: G:\Cities and Counties\Wildwood\Standard Details\WATER\W-14.1 Water Service Connection.dwg Model Feb 11, 2021 3:18pm by: Jacob.Courtney




PLAN VIEW



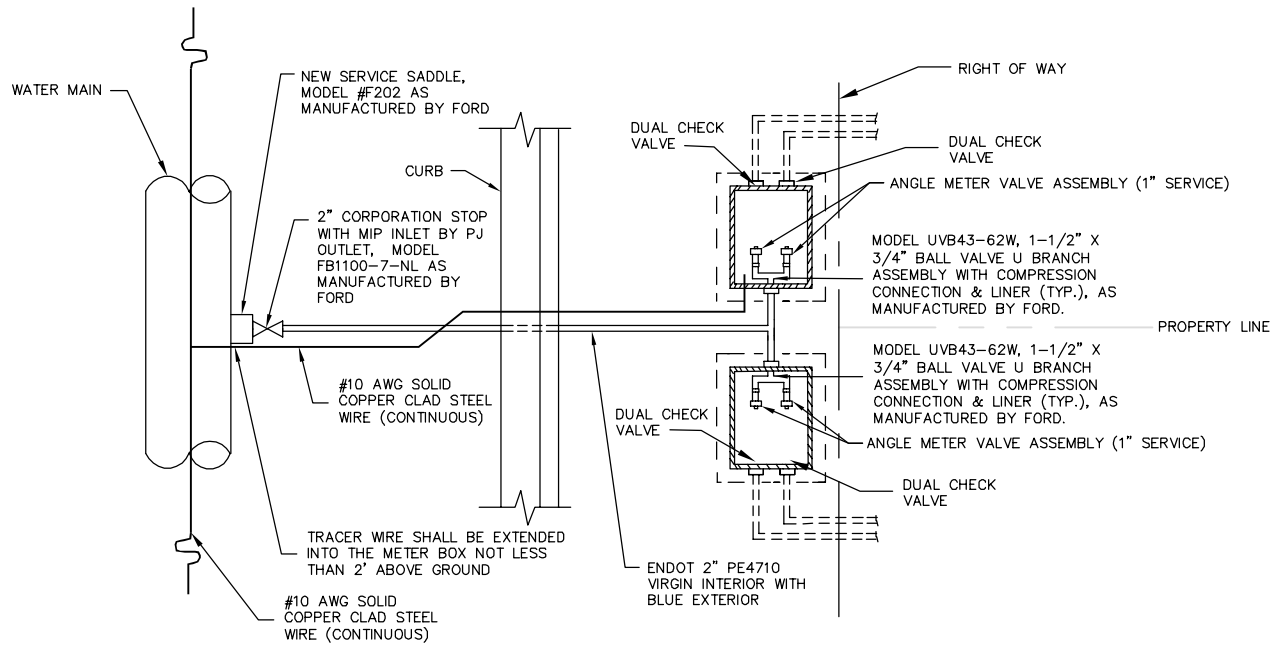
PROFILE VIEW

NOTES:

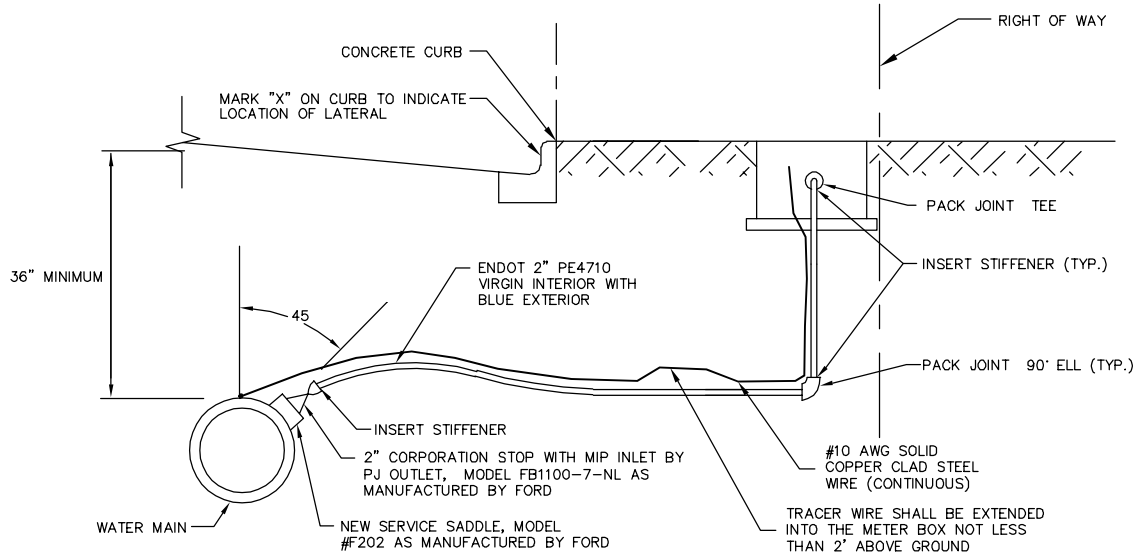
1. ALL SERVICE CONNECTION PIPE SHALL BE COMPOSED OF THE SAME MATERIAL TYPE AND SIZE FROM THE CORPORATION STOP TO THE METER.
2. FOR NON-TRAFFIC BEARING APPLICATIONS, BOX SHALL BE DFV-ROTEC SERIES C POLYMER ENCLOSURE (SIZE 36F) WITH CAST IRON LID. FOR TRAFFIC BEARING APPLICATIONS (SIDEWALKS, DRIVEWAYS, ETC.), METER BOX SHALL BE CONCRETE WITH A CAST IRON LID.
3. THE OUTLET SIZE ON THE SADDLE TAP, CORPORATION STOP SIZE AND SERVICE LINE SIZE SHALL BE THE SAME.
4. METER BOXES SHALL BE LOCATED WITHIN THE RIGHT-OF-WAY AT THE PROPERTY LINE.
5. DUAL CHECK VALVE SHALL BE INTEGRAL WITH METER IN SAME BOX.
6. THIS DETAIL APPLIES FOR UP TO 2" SERVICE.

	CITY OF WILDWOOD 100 NORTH MAIN STREET WILDWOOD, FLORIDA 34785 (352) 330-1330	SCALE NONE	CITY OF WILDWOOD WATER DETAIL	DETAIL NUMBER
		LATEST REVISION 02-03-21	SINGLE WATER SERVICE CONNECTION	W-14 1 OF 2

Drawing name: G:\Cities and Counties\Wildwood\Standard Details\WATER\W-14.2 Water Service Connection.dwg Model Feb 11, 2021 3:37pm by: Jacob.Courtney



PLAN VIEW



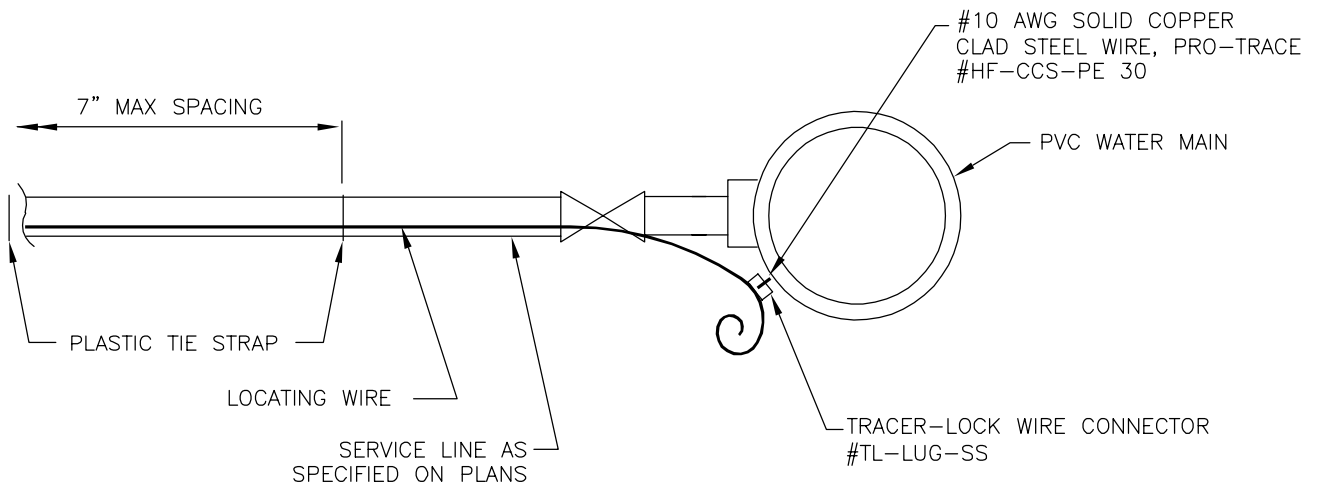
PROFILE VIEW

NOTES:

1. ALL SERVICE CONNECTION PIPE SHALL BE COMPOSED OF THE SAME MATERIAL TYPE AND SIZE FROM THE CORPORATION STOP TO THE METER.
2. FOR NON-TRAFFIC BEARING APPLICATIONS, BOX SHALL BE DFV-ROTEC SERIES C POLYMER ENCLOSURE (SIZE 36F) WITH CAST IRON LID. FOR TRAFFIC BEARING APPLICATIONS (SIDEWALKS, DRIVEWAYS, ETC.), METER BOX SHALL BE CONCRETE WITH A CAST IRON LID.
3. THE OUTLET SIZE ON THE SADDLE TAP, CORPORATION STOP SIZE AND SERVICE LINE SIZE SHALL BE THE SAME.
4. METER BOXES SHALL BE LOCATED WITHIN THE RIGHT-OF-WAY AT THE PROPERTY LINE.
5. DUAL CHECK VALVE SHALL BE INTEGRAL WITH METER IN SAME BOX.
6. THIS DETAIL APPLIES FOR UP TO 2" SERVICES

<p>CITY OF WILDWOOD 100 NORTH MAIN STREET WILDWOOD, FLORIDA 34785 (352) 330-1330</p>	SCALE NONE	CITY OF WILDWOOD WATER DETAIL	DETAIL NUMBER
	LATEST REVISION 02-03-21	DUAL WATER SERVICE CONNECTION	W-14 2 OF 2

Drawing name: G:\Cities and Counties\Wildwood\Standard Details\WATER\W-15 Locating Wire.dwg Model Sep 12, 2019 5:22pm by: Zach.Allison



CITY OF WILDWOOD
100 NORTH MAIN STREET
WILDWOOD, FLORIDA 34785
(352) 330-1330

SCALE
NONE

LATEST REVISION
09-12-19

CITY OF WILDWOOD WATER DETAIL

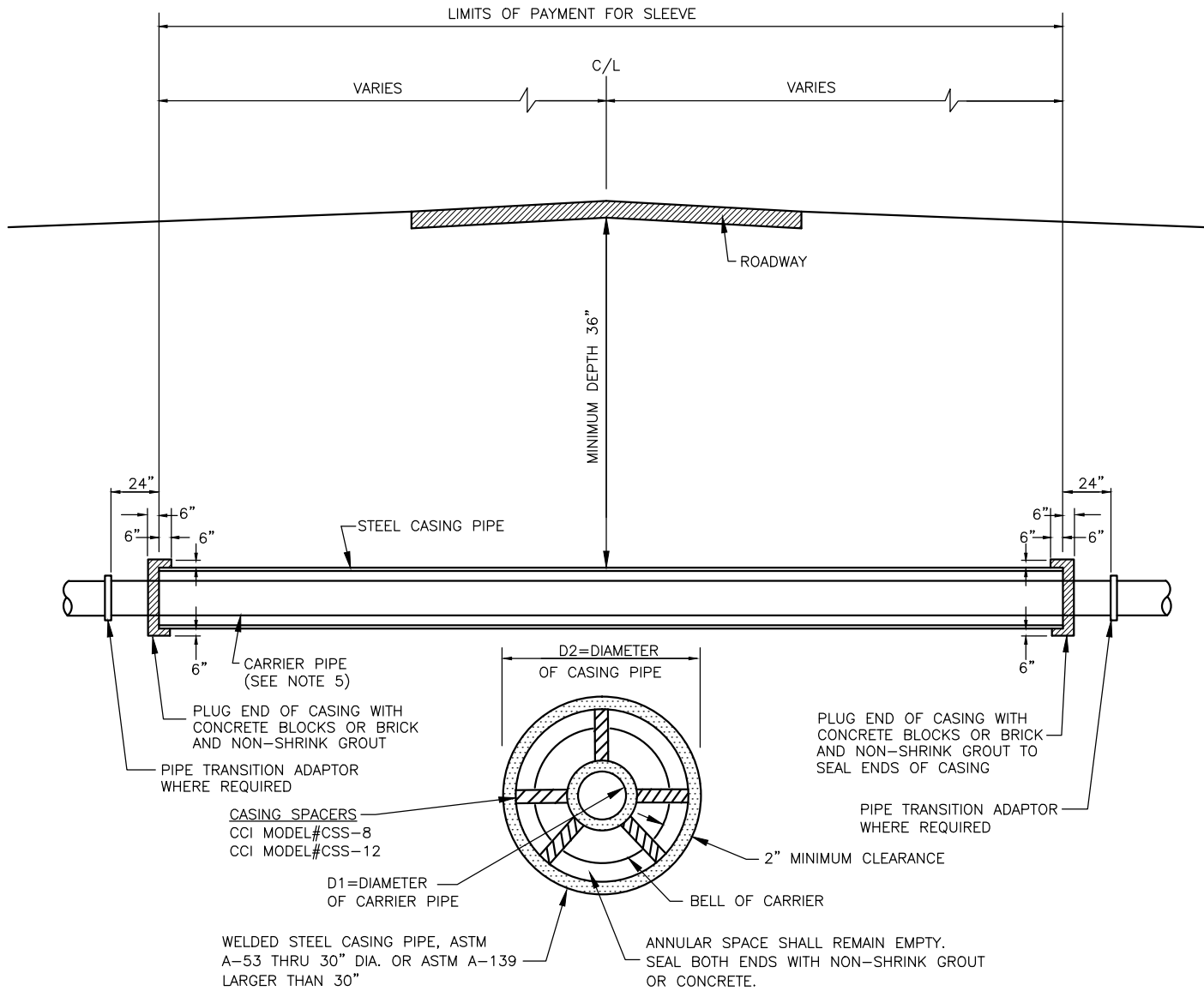
LOCATING WIRE DETAIL

DETAIL NUMBER

W-15

1 OF 1

Drawing name: C:\Users\thomas.d\aguar\AppData\Local\Temp\AcPublish..._8108\W-16 Sleeve Detail.dwg Model Jun 02, 2016 8:06am by: thomas.d\aguar

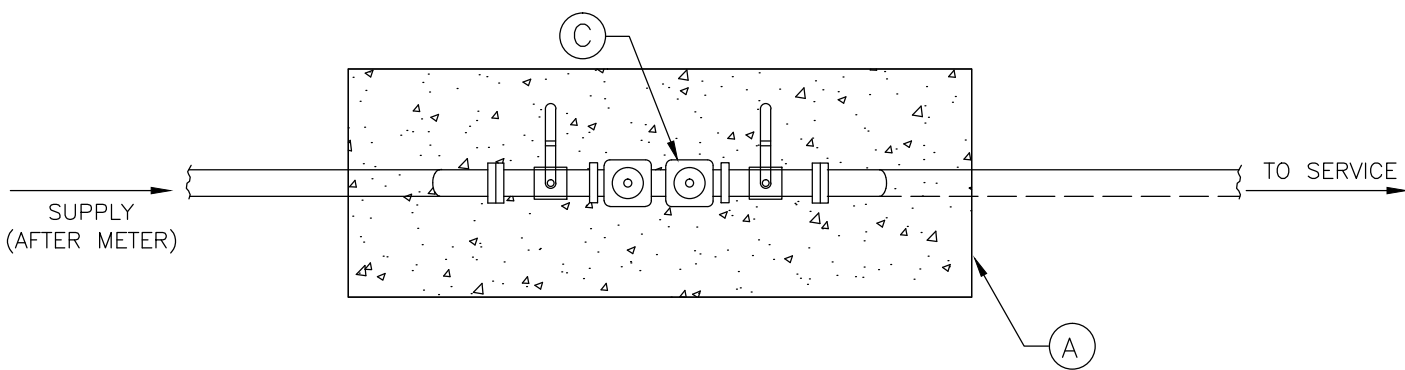


CARRIER PIPE AND CASING PIPE SIZES (MIN)													
CARRIER PIPE NOMINAL DIAMETER (D1)	4	6	8	10	12	14	16	18	20	24	30	36	42
CASING PIPE NOMINAL DIA (D2)	16	18	20	24	24	30	30	30	32	36	48	54	60
WALL THICKNESS-INCHES	0.31	0.31	0.31	0.33	0.33	0.38	0.38	0.42	0.42	0.52	0.52	0.58	0.61

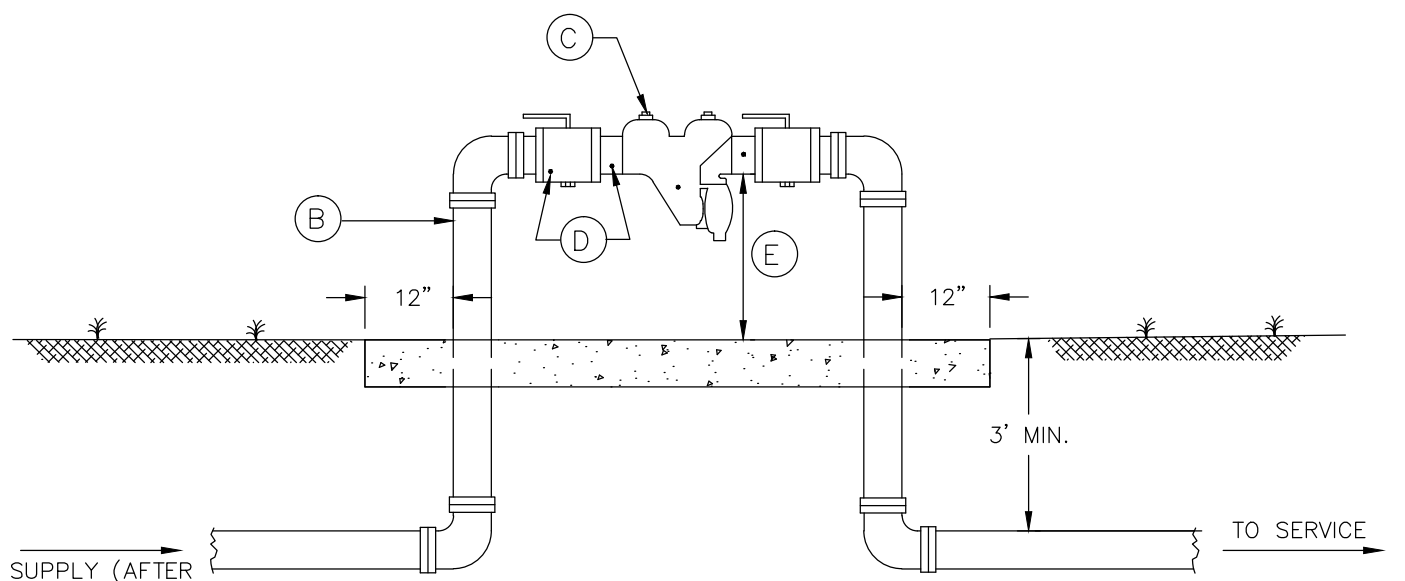
NOTES

1. THE INSIDE DIAMETER OF THE CASING SHALL BE A MINIMUM OF 6" GREATER THAN THE OUTSIDE DIAMETER OF THE CARRIER PIPE BELL OR COUPLING.
2. CASING FOR THE FORCE MAIN AND GRAVITY SEWER SHALL BE INSTALLED WITH A 2" VENT PIPE, WHERE REQUIRED, AT ONE END EXTENDING NOT LESS THAN 4' ABOVE GROUND SURFACE, AND ABOVE THE MAXIMUM ELEVATION OF HIGH WATER. THE TOP OF THE VENT PIPE SHALL BE FITTED WITH DOWN TURNED ELBOW PROPERLY SCREENED. THE VENT PIPE SHALL BE SCHEDULE NO. 40 GALVANIZED STEEL. VENT PIPE FOR WATER MAIN AND REUSE MAIN CASING IS NOT REQUIRED.
3. PAYMENT SHALL INCLUDE CASING, END ENCASEMENTS, TRANSITION ADAPTORS, VENT PIPES AND SPACERS.
4. INSTALL CASING SPACERS TO PROVIDE A MINIMUM OF THREE PER JOINT OF PIPE. INSTALL IN ACCORDANCE WITH THE MANUFACTURER'S WRITTEN INSTRUCTIONS.
5. PIPING INSIDE CASING IS TO BE RESTRAINED JOINT PIPING.

Drawing name: C:\Users\thomas.d\agular\AppData\local\temp\AcPublish_8108\W-17 Reduced Pressure Backflow Preventer.dwg Model Jun 02, 2016 8:07am by: thomas.d\agular



PLAN VIEW




SECTION

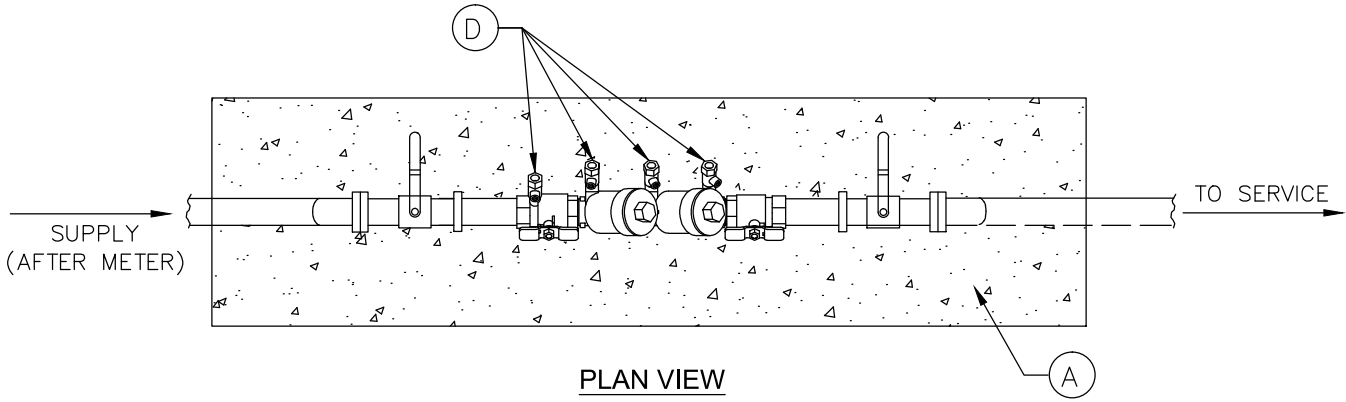
- (A) REINFORCED 4" THICK CONCRETE PAD WITH ONE LAYER 6"x6" WWF (3' WIDE)
- (B) GALVANIZED PIPING (3/4" - 12" DIA)
- (C) REDUCED PRESSURE BACKFLOW PREVENTER WILKINS MODEL #975XL2-NO LEAD WITH BALL VALVES
- (D) TEST COCKS
- (E) 12" MIN. - 18" MAX. CLEARANCE
- (F) DETAIL TO BE USED FOR HIGH HAZARD SITES (WITH WELL(S) ON SITE, OR MULTIPLE STORIES) IN CONJUNCTION WITH A COMPOUND METER

NOTES:

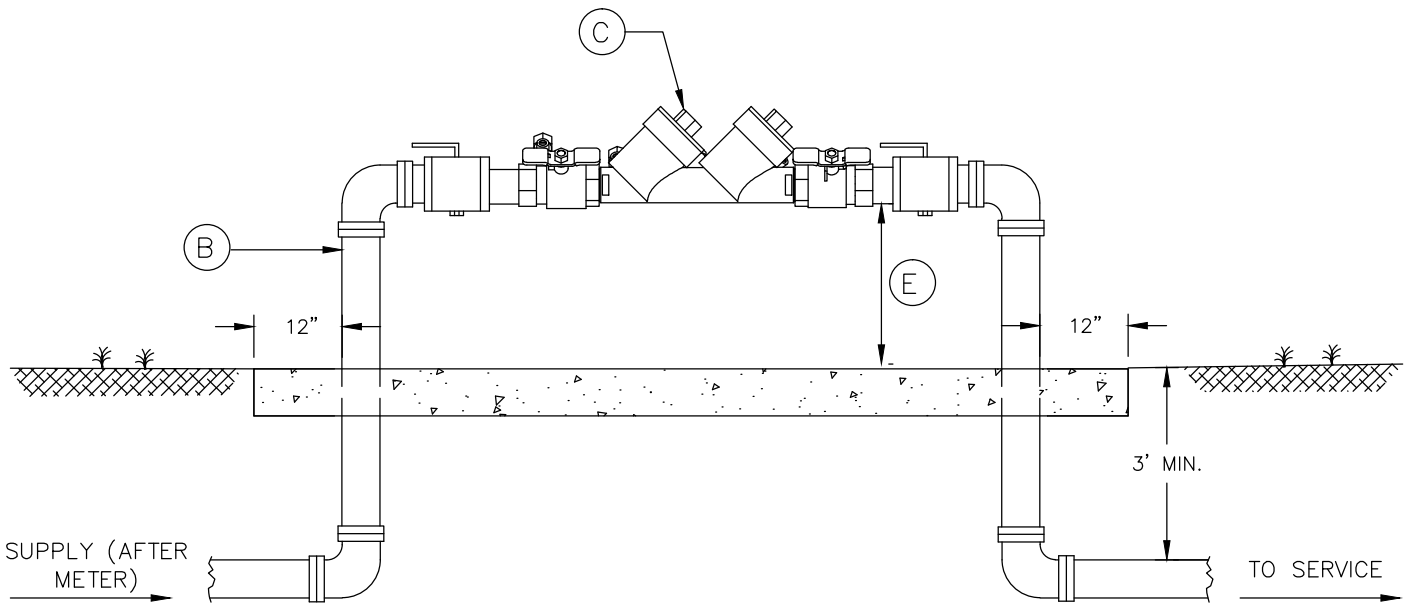
ALL RIGID PIPE AND FITTINGS, NO PVC ABOVE GROUND

 WILDWOOD <small>FLORIDA</small>	CITY OF WILDWOOD 100 NORTH MAIN STREET WILDWOOD, FLORIDA 34785 (352) 330-1330	SCALE NONE	CITY OF WILDWOOD WATER DETAIL	DETAIL NUMBER W-17
		LATEST REVISION 12-09-15	REDUCED PRESSURE BACKFLOW PREVENTER	1 OF 1

Drawing name: C:\Users\thomas.d'agular\AppData\local\temp\AcPublish..._8108\W-18 Double Check Backflow Preventer.dwg Model Jun 02, 2016 8:07am by: thomas.d'agular



PLAN VIEW



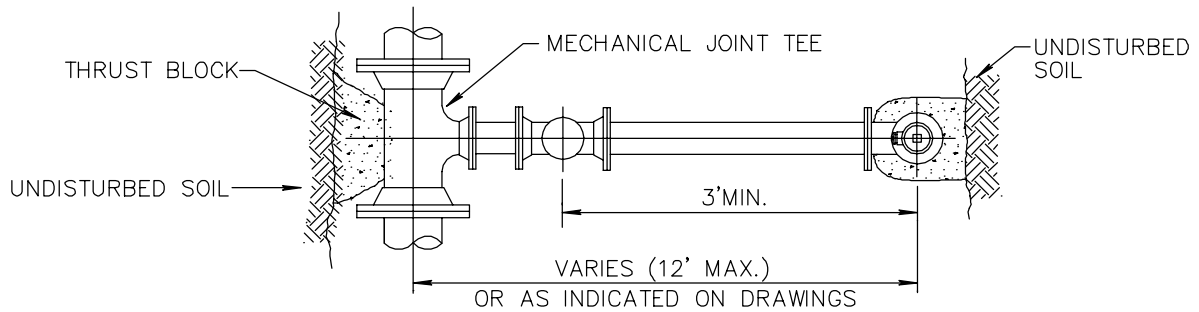
SECTION

- (A) REINFORCED 4" THICK CONCRETE PAD WITH ONE LAYER 6"x6" WWF (3' WIDE)
- (B) GALVANIZED PIPING (3/4" - 12" DIAMETER)
- (C) DOUBLE CHECK BACKFLOW PREVENTER WILKINS MODEL #950XL2-NO LEAD WITH BALL VALVES
- (D) TEST COCKS
- (E) 12" MIN. - 18" MAX. CLEARANCE
- (F) DETAIL TO BE USED FOR LOW HAZARD IRRIGATION OR IN CONJUNCTION WITH A COMPOUND METER (ON SITE WITHOUT WELLS)

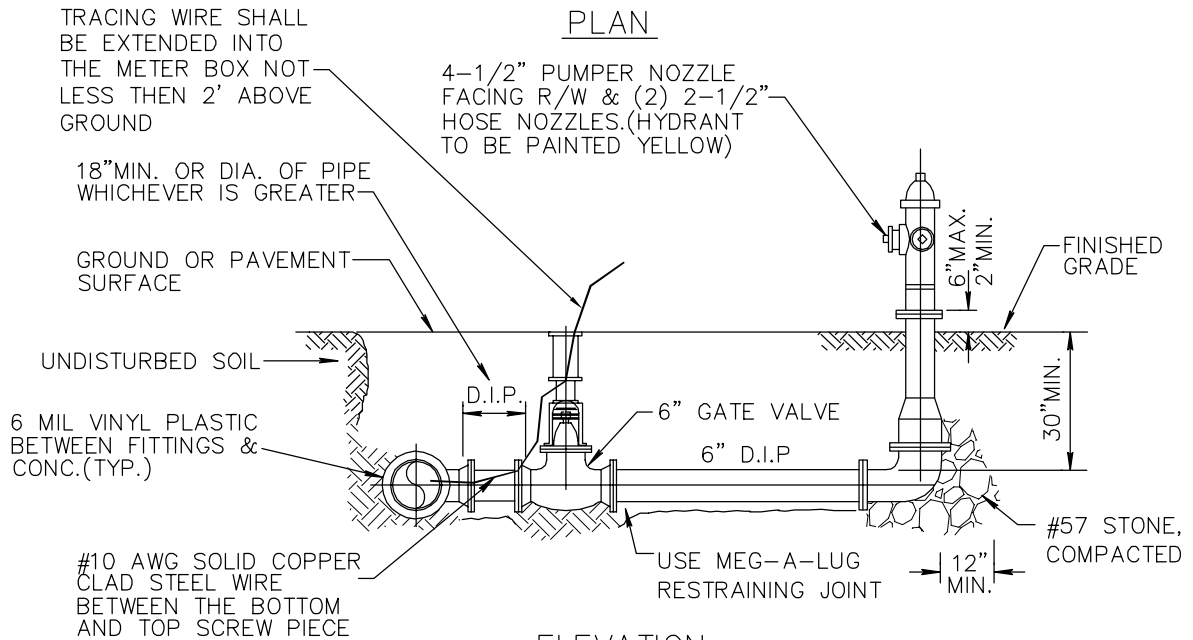
NOTES:

ALL RIGID PIPE AND FITTINGS, NO PVC ABOVE GROUND

<p>CITY OF WILDWOOD 100 NORTH MAIN STREET WILDWOOD, FLORIDA 34785 (352) 330-1330</p>	SCALE NONE	CITY OF WILDWOOD WATER DETAIL	DETAIL NUMBER
	LATEST REVISION 12-09-15	DOUBLE CHECK BACKFLOW PREVENTER	W-18 1 OF 1



PLAN




ELEVATION

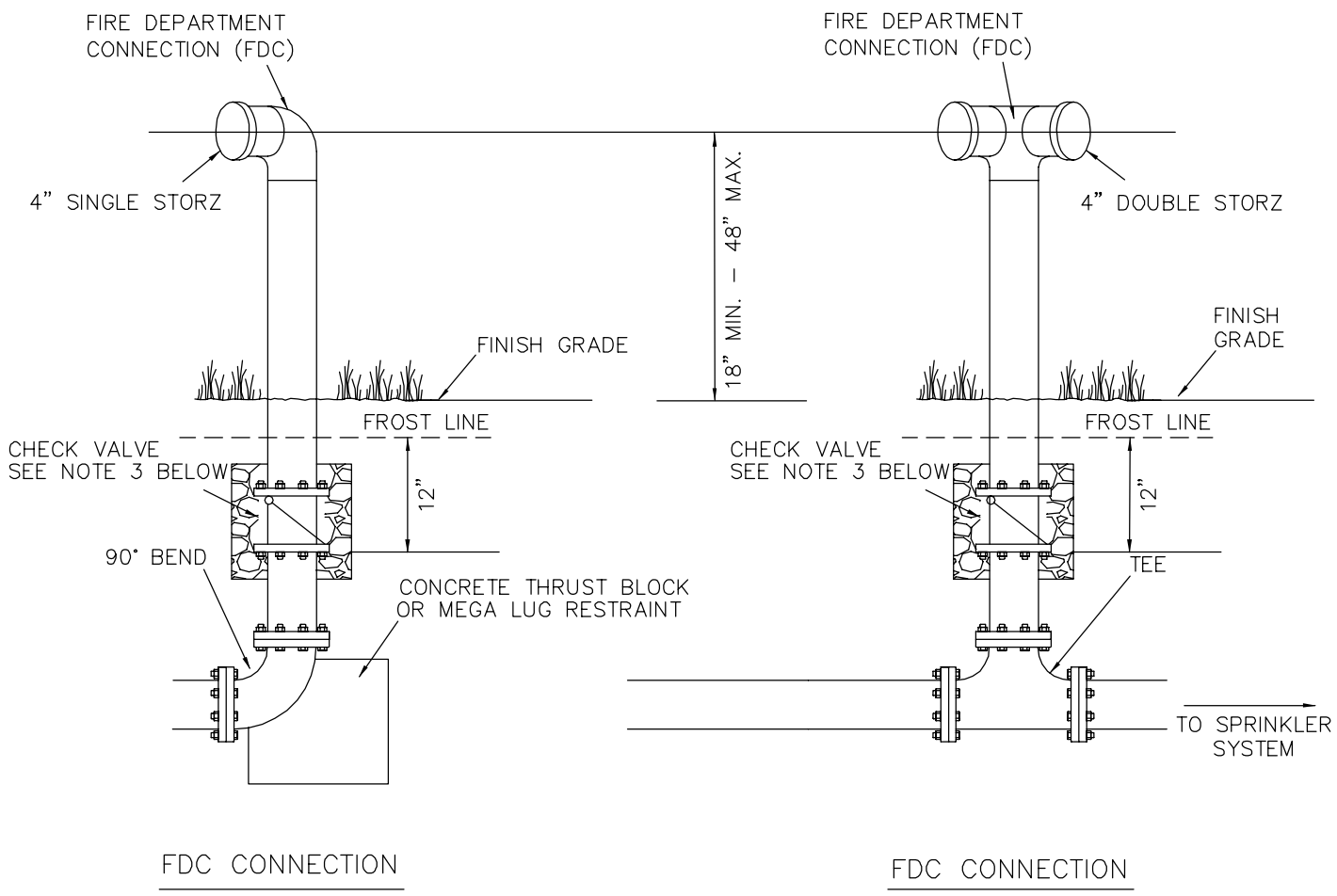
NOTES

1. HYDRANT SHALL BE INSTALLED PLUMB AND TRUE IN UNOBSTRUCTED LOCATION. (5' CLEARANCE ON ALL SIDES WITH 3' ACCESS LANE)
2. NO BARREL EXTENSION SHALL BE PERMITTED WITHOUT PRIOR CONSENT OF CITY ENGINEER.
3. VALVE SHALL BE PLACED ADJACENT TO MAIN, TIED TO TEE.
4. ANCHOR TEES AND FITTINGS ARE PERMITTED.
5. HYDRANT SHALL BE MUELLER CENTURION OR EJ FLOWMASTER WITH TRAFFIC BREAKAWAY FLANGE AND 5-1/4" VALVE.
6. HYDRANTS SHALL NOT ENCROACH IN SIDEWALKS, ROADWAYS, OR BIKE PATHS.
7. ON RUNS LONGER THAN 20 FEET A SECOND VALVE IS REQUIRED AT THE HYDRANT.
8. ALL HYDRANT INSTALLATION SHALL BE IN ACCORDANCE WITH SUMTER COUNTY FIRE PREVENTION ORDINANCE.
9. IN CERTAIN SITUATIONS, PROTECTIVE BOLLARDS MAY BE REQUIRED AS DIRECTED BY THE ENGINEERING DEPT. (SEE BOLLARD DETAIL PW 5.2)
10. FIRE HYDRANTS INSTALLED BUT NOT YET IN SERVICE SHALL BE COVERED WITH BLACK PLASTIC OR BURLAP SACK.
11. HYDRANT SHALL BE YELLOW IN COLOR, FLOW TESTED PRIOR TO PLACING INTO SERVICE AND BONNET COLOR CODED BY PRESSURE/FLOW AS REQUIRED.

Drawing name: G:\Cities and Counties\Wildwood\Standard Details\WATER\W-19 Fire Hydrant Assembly.dwg Model Oct 23, 2019 9:36am by: Jacob.Courtney

 <p>CITY OF WILDWOOD 100 NORTH MAIN STREET WILDWOOD, FLORIDA 34785 (352) 330-1330</p>	SCALE NONE	CITY OF WILDWOOD WATER DETAIL	DETAIL NUMBER
	LATEST REVISION 10-22-19	FIRE HYDRANT ASSEMBLY	W-19 1 OF 1

Drawing name: G:\Cities and Counties\Wildwood\Standard Details\WATER\W-20 Fire Dept Connection.dwg Model Oct 23, 2019 10:33am by: Jacob.Courtney




FDC CONNECTION

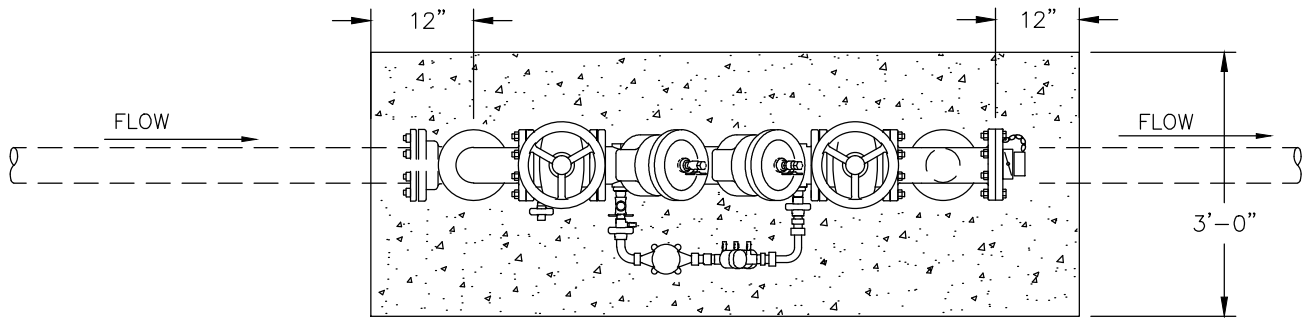
FDC CONNECTION

NOTES

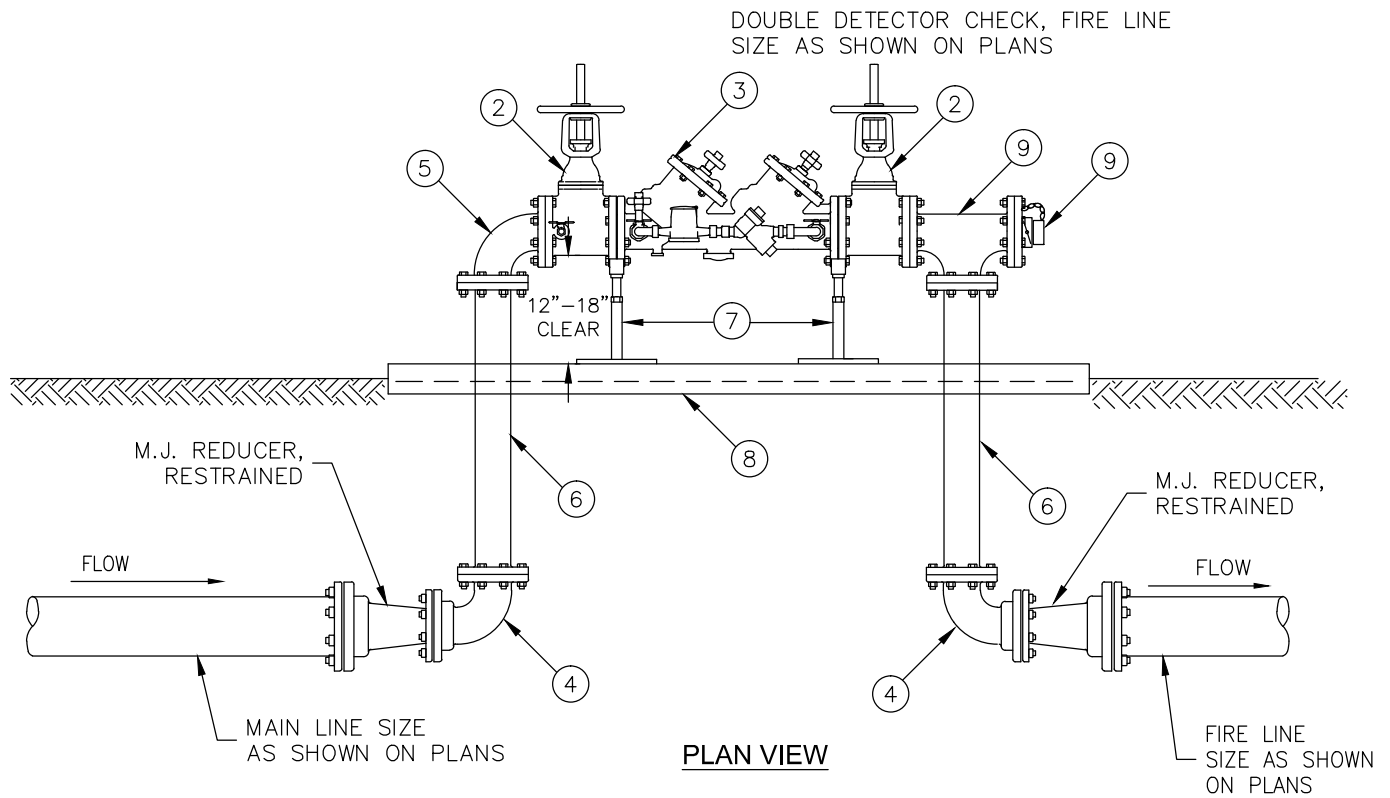
1. ALL ABOVE-GROUND PARTS OF THE FDC ASSEMBLY, INCLUDING PIPING, SHALL BE PAINTED "SAFETY RED".
2. PROVIDE AN INLINE CHECK VALVE WHERE INLINE FDC CONNECTIONS ARE INSTALLED AND FIRE HYDRANTS ARE CONNECTED UPSTREAM.
3. PROVIDE AN INLINE CHECK VALVE WHERE FDC CONNECTIONS ARE INSTALLED AND FIRE HYDRANTS ARE CONNECTED UPSTREAM. INSTALL CHECK BETWEEN FDC AND HYDRANT LOCATION.
4. FDC MAY BE MOUNTED ON DOUBLE CHECK DETECTOR ASSEMBLIES (DCDA).

 WILDWOOD <small>FLORIDA</small>	CITY OF WILDWOOD 100 NORTH MAIN STREET WILDWOOD, FLORIDA 34785 (352) 330-1330	SCALE NONE	CITY OF WILDWOOD WATER DETAIL	DETAIL NUMBER
		LATEST REVISION 10-22-19	FIRE DEPARTMENT CONNECTION (4" OR GREATER) WITH CHECK VALVE	W-20 1 OF 1

Drawing name: C:\Users\thomas.d\aguar\AppData\Local\Temp\AcPublish...5656\W-21 Fire Line Backflow Preventer.dwg Model Jun 01, 2016 2:39pm by: thomas.d\aguar



PLAN VIEW



PLAN VIEW

FIRE LINE BACKFLOW PREVENTER LEGEND

- ① DISTRIBUTION SYSTEM RESTRAIN ONE (1) JOINT FROM FITTING IN EACH DIRECTION
- ② GATE VALVE (RESILIENT SEAL), OS&Y, FLANGED, PROVIDE 3/4" GALVANIZED CHAIN AND PADLOCK FOR EACH VALVE.(SIZE PER PLAN)
- ③ DOUBLE DETECTOR CHECK VALVE, WILKINS #350DA WITH OS&Y GATE VALVES
- ④ 90° BEND, M.J., RESTRAINED (BELOW GRADE)
- ⑤ 90° BEND, FLANGED
- ⑥ CLASS 53 DIP
- ⑦ CONCRETE PIPE SUPPORT
- ⑧ CONCRETE SLAB, 6" THICK, No. 4 BARS, 12" OCEW WITH VISQUEEN VAPOR BARRIER.
- ⑨ TEE WITH FIRE DEPT. CONNECTION WITH CHECK VALVE. (SIZE PER PLAN)
- ⑩ THIS DETAIL TO BE USED ONLY FOR DEDICATED FIRE LINES

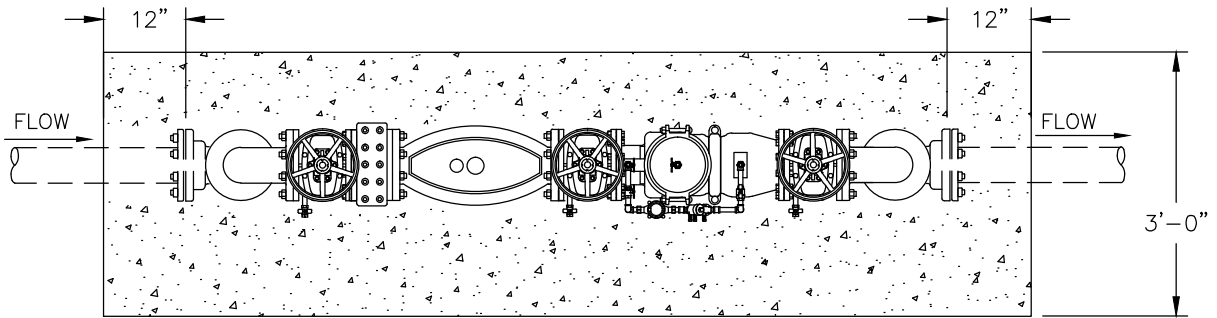


CITY OF WILDWOOD
 100 NORTH MAIN STREET
 WILDWOOD, FLORIDA 34785
 (352) 330-1330

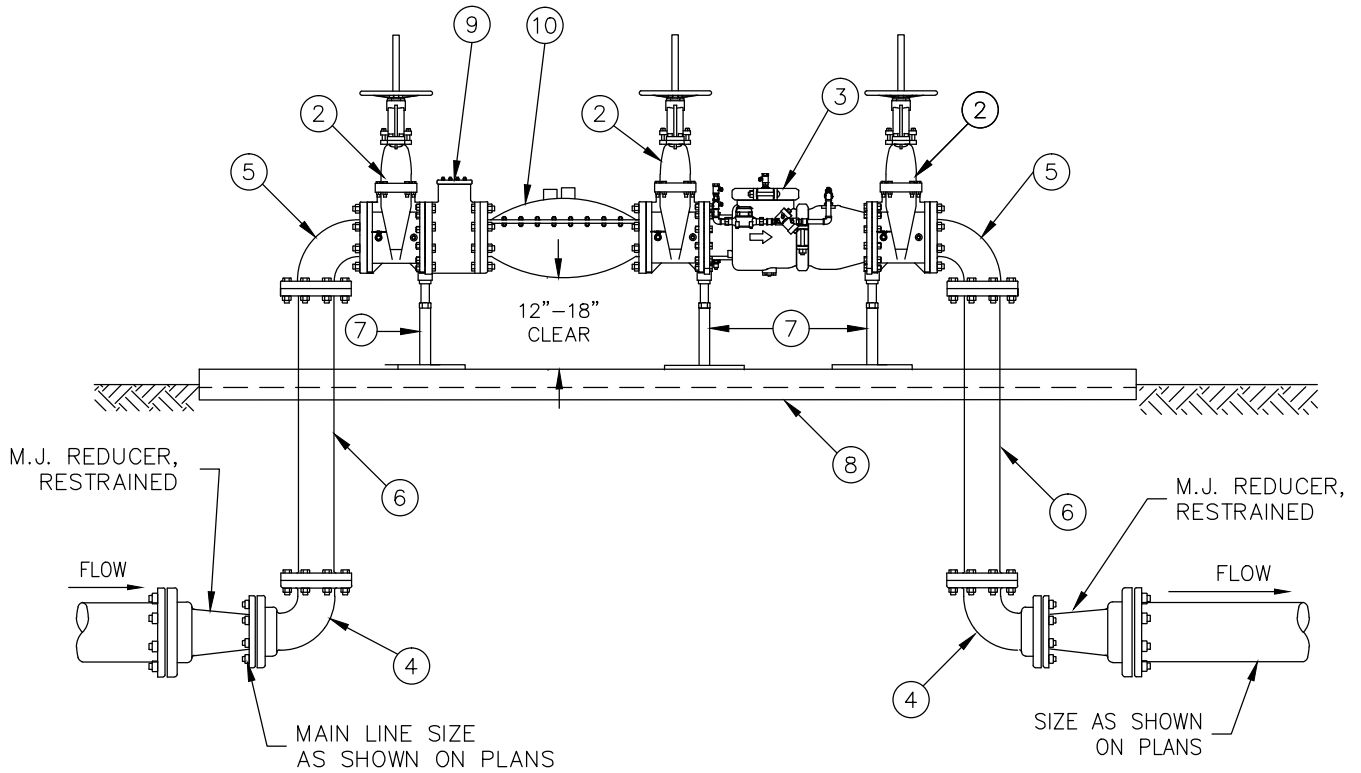
SCALE
NONE
 LATEST REVISION
06-01-16

CITY OF WILDWOOD WATER DETAIL
FIRE LINE BACKFLOW PREVENTER DEVICE

DETAIL NUMBER
W-21
 1 OF 1



PLAN VIEW



SECTION VIEW

COMPOUND METER WITH BACKFLOW PREVENTER

- ① DISTRIBUTION SYSTEM RESTRAIN ONE (1) JOINT FROM FITTING IN EACH DIRECTION
- ② GATE VALVE (RESILIENT SEAL), OS&Y, FLANGED, PROVIDE 3/4" GALVANIZED CHAIN AND PADLOCK FOR EACH VALVE.(SIZE PER PLAN)
- ③ REDUCED PRESSURE DOUBLE DETECTOR CHECK VALVE, WILKINS #375DA WITH OS&Y GATE VALVES
- ④ 90° BEND, M.J., RESTRAINED (BELOW GRADE)
- ⑤ 90° BEND, FLANGED
- ⑥ CLASS 53 DIP
- ⑦ CONCRETE PIPE SUPPORT
- ⑧ CONCRETE SLAB, 6" THICK, No. 4 BARS, 12" OCEW WITH VISQUEEN VAPOR BARRIER.
- ⑨ METER STRAINER
- ⑩ COMPOUND FLOW METER, NEPTUNE PROSPECTUS 3
- ⑪ DETAIL TO BE USED FOR LARGE DIAMETER DOMESTIC WATER LINES AND HIGH HAZARD SITES WITH FIRE PROTECTION

Drawing name: G:\Cities and Counties\Wildwood\Standard Details\WATER\W-22 Compound Meter With Backflow Preventer.dwg Model Jun 01, 2016 2:40pm by: thomas.d.guilar

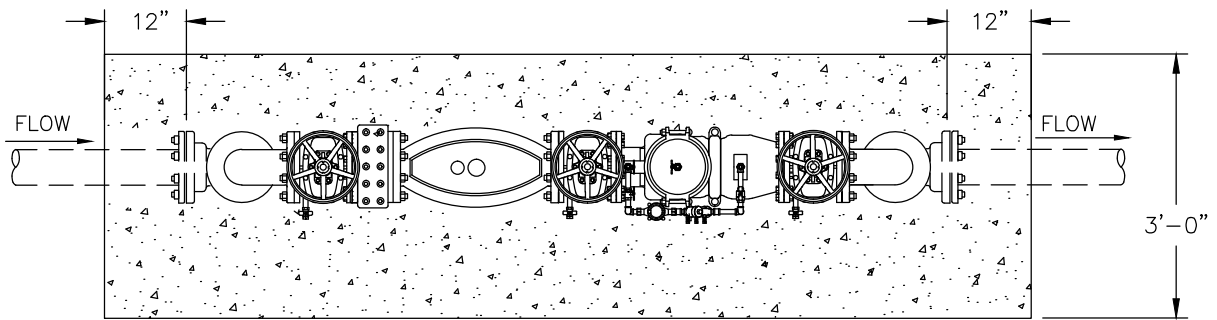


CITY OF WILDWOOD
 100 NORTH MAIN STREET
 WILDWOOD, FLORIDA 34785
 (352) 330-1330

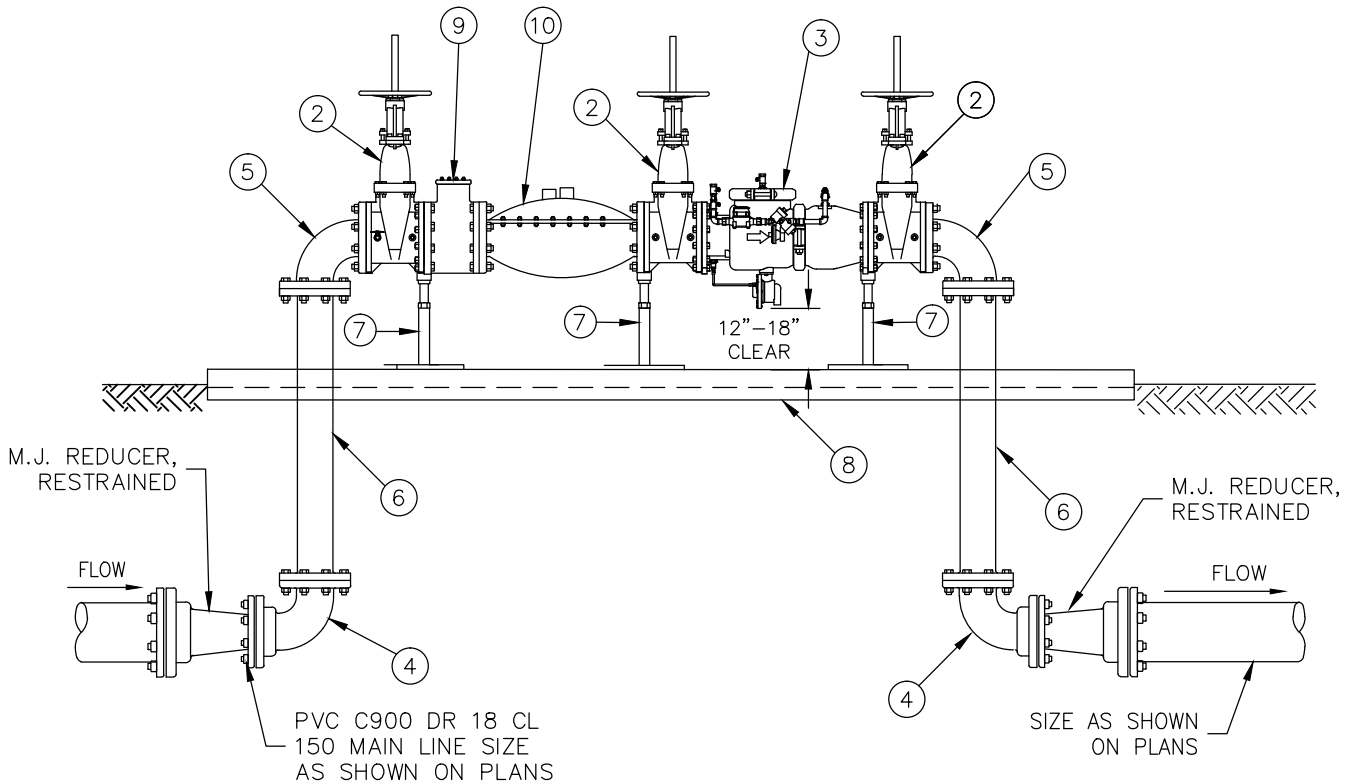
SCALE
NONE
 LATEST REVISION
06-01-16

CITY OF WILDWOOD WATER DETAIL
COMPOUND METER WITH
BACKFLOW PREVENTER 6"-12"

DETAIL NUMBER
W-22
 1 OF 1



PLAN VIEW



SECTION VIEW

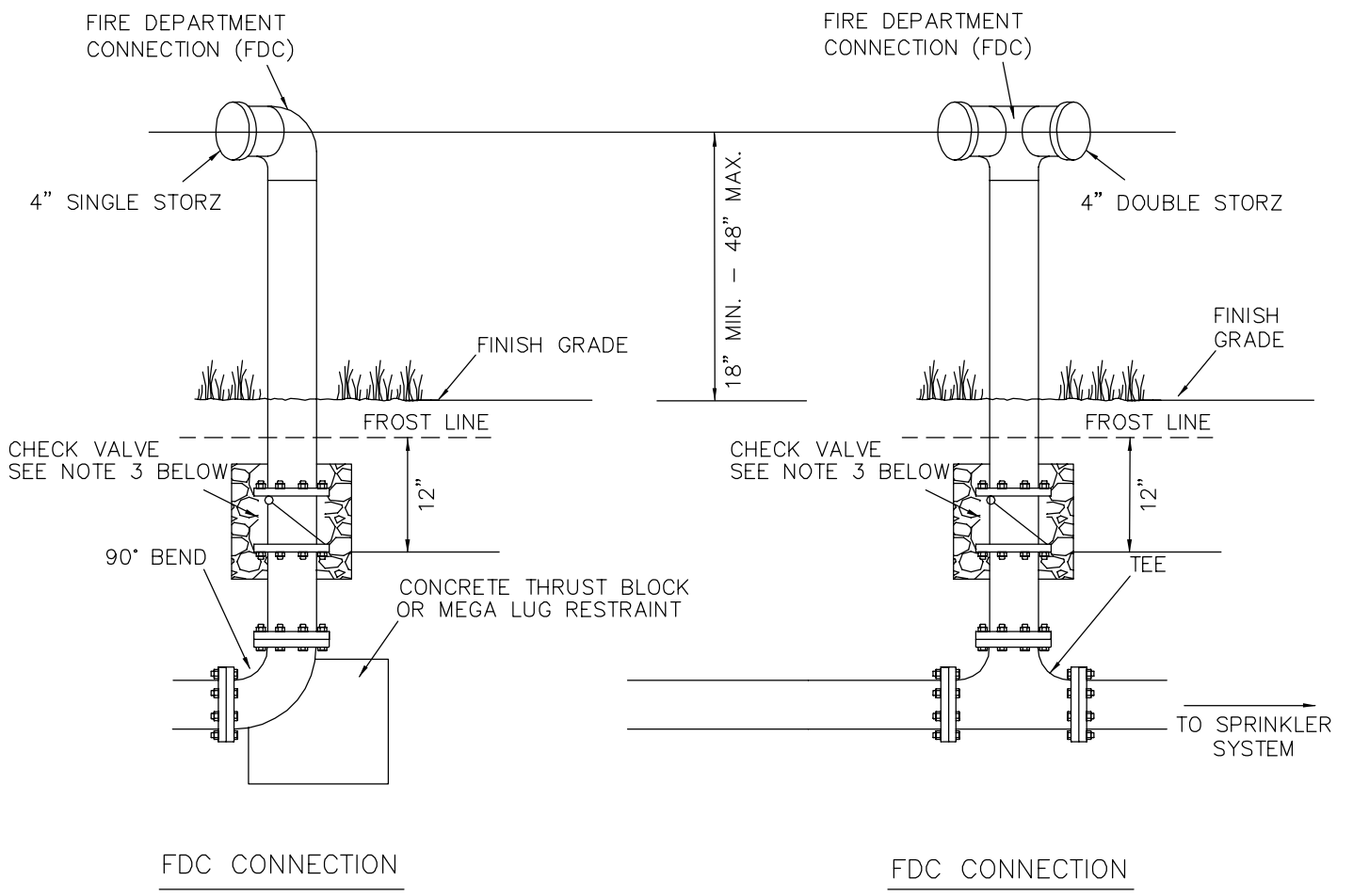
COMPOUND METER WITH BACKFLOW PREVENTER

- ① DISTRIBUTION SYSTEM RESTRAIN ONE (1) JOINT FROM FITTING IN EACH DIRECTION
- ② GATE VALVE (RESILIENT SEAL), OS&Y, FLANGED, PROVIDE 3/4" GALVANIZED CHAIN AND PADLOCK FOR EACH VALVE.(SIZE PER PLAN)
- ③ REDUCED PRESSURE DOUBLE DETECTOR CHECK VALVE, WILKINS #375DA WITH OS&Y GATE VALVES
- ④ 90° BEND, M.J., RESTRAINED (BELOW GRADE)
- ⑤ 90° BEND, FLANGED
- ⑥ CLASS 53 DIP
- ⑦ CONCRETE PIPE SUPPORT
- ⑧ CONCRETE SLAB, 6" THICK, No. 4 BARS, 12" OCEW WITH VISQUEEN VAPOR BARRIER.
- ⑨ METER STRAINER
- ⑩ COMPOUND FLOW METER, NEPTUNE PROSPECTUS 3
- ⑪ DETAIL TO BE USED FOR HIGH HAZARD SITES (WITH WELL(S) ON SITE, OR MULTIPLE STORIES) AND DEDICATED FIRE LINES.

Drawing name: C:\Users\thomas.d\aguiar\AppData\Local\Temp\AcPublish...8108\W-23 Fire Line Compound Meter With Backflow Preventer.dwg Model Jun 02, 2016 8:08am by: thomas.d\aguiar

	CITY OF WILDWOOD 100 NORTH MAIN STREET WILDWOOD, FLORIDA 34785 (352) 330-1330	SCALE NONE	CITY OF WILDWOOD WATER DETAIL	DETAIL NUMBER
		LATEST REVISION 12-31-15	FIRE LINE COMPOUND METER WITH BACKFLOW PREVENTER 6"-12"	W-23 1 OF 1

Drawing name: G:\Cities and Counties\Wildwood\Standard Details\WATER\W-20 Fire Dept Connection.dwg Model Oct 23, 2019 10:33am by: Jacob.Courtney




FDC CONNECTION

FDC CONNECTION

NOTES

1. ALL ABOVE-GROUND PARTS OF THE FDC ASSEMBLY, INCLUDING PIPING, SHALL BE PAINTED "SAFETY RED".
2. PROVIDE AN INLINE CHECK VALVE WHERE INLINE FDC CONNECTIONS ARE INSTALLED AND FIRE HYDRANTS ARE CONNECTED UPSTREAM.
3. PROVIDE AN INLINE CHECK VALVE WHERE FDC CONNECTIONS ARE INSTALLED AND FIRE HYDRANTS ARE CONNECTED UPSTREAM. INSTALL CHECK BETWEEN FDC AND HYDRANT LOCATION.
4. FDC MAY BE MOUNTED ON DOUBLE CHECK DETECTOR ASSEMBLIES (DCDA).

 WILDWOOD <small>FLORIDA</small>	CITY OF WILDWOOD 100 NORTH MAIN STREET WILDWOOD, FLORIDA 34785 (352) 330-1330	SCALE NONE	CITY OF WILDWOOD WATER DETAIL	DETAIL NUMBER
		LATEST REVISION 10-22-19	FIRE DEPARTMENT CONNECTION (4" OR GREATER) WITH CHECK VALVE	W-20 1 OF 1