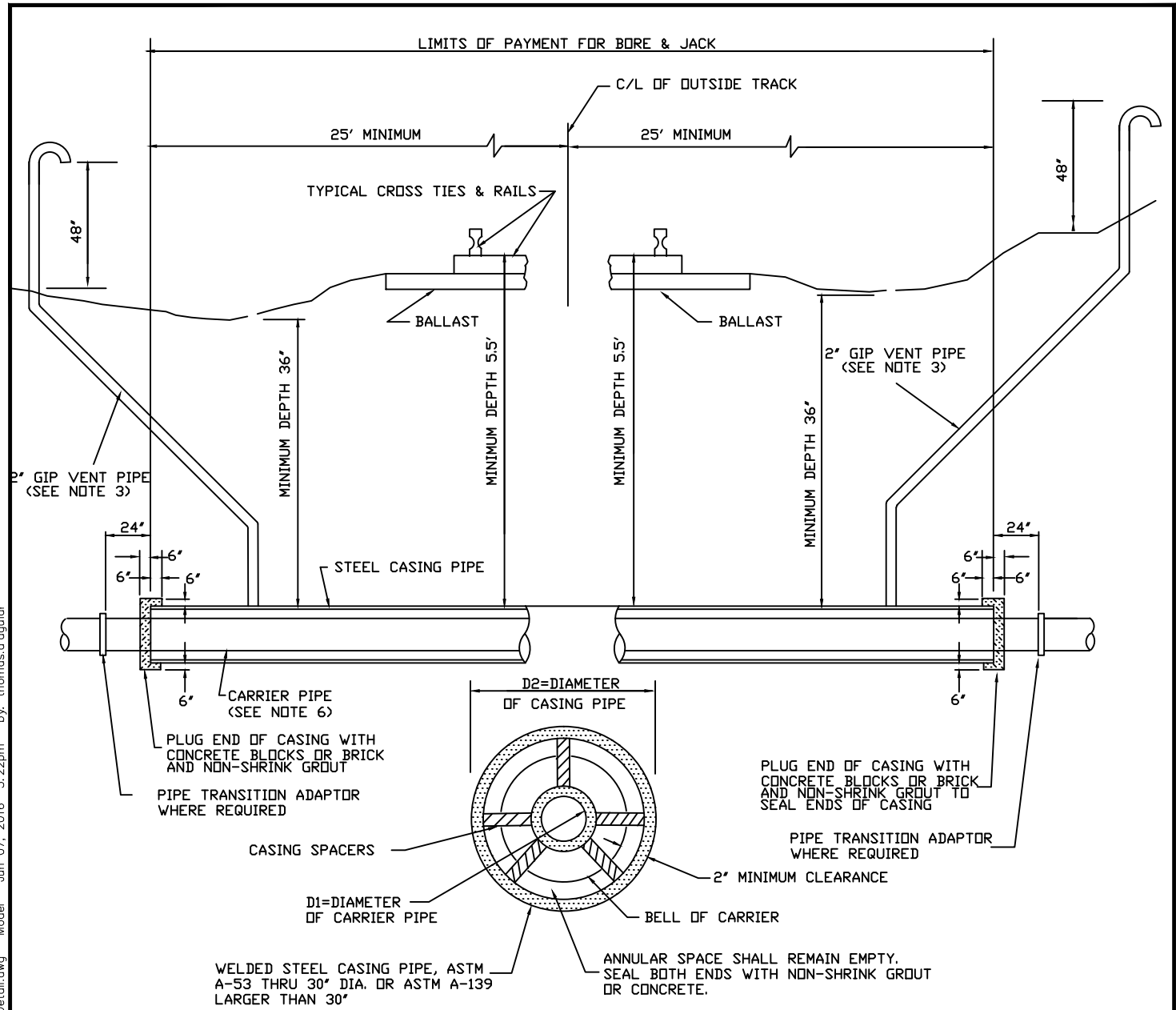


Drawing name: G:\Cities and Counties\Wildwood\Standard Details\MISC\W-01 RrR Boring & Jacking Detail.dwg Model Jun 07, 2016 3:22pm by: thomas.d.guioir

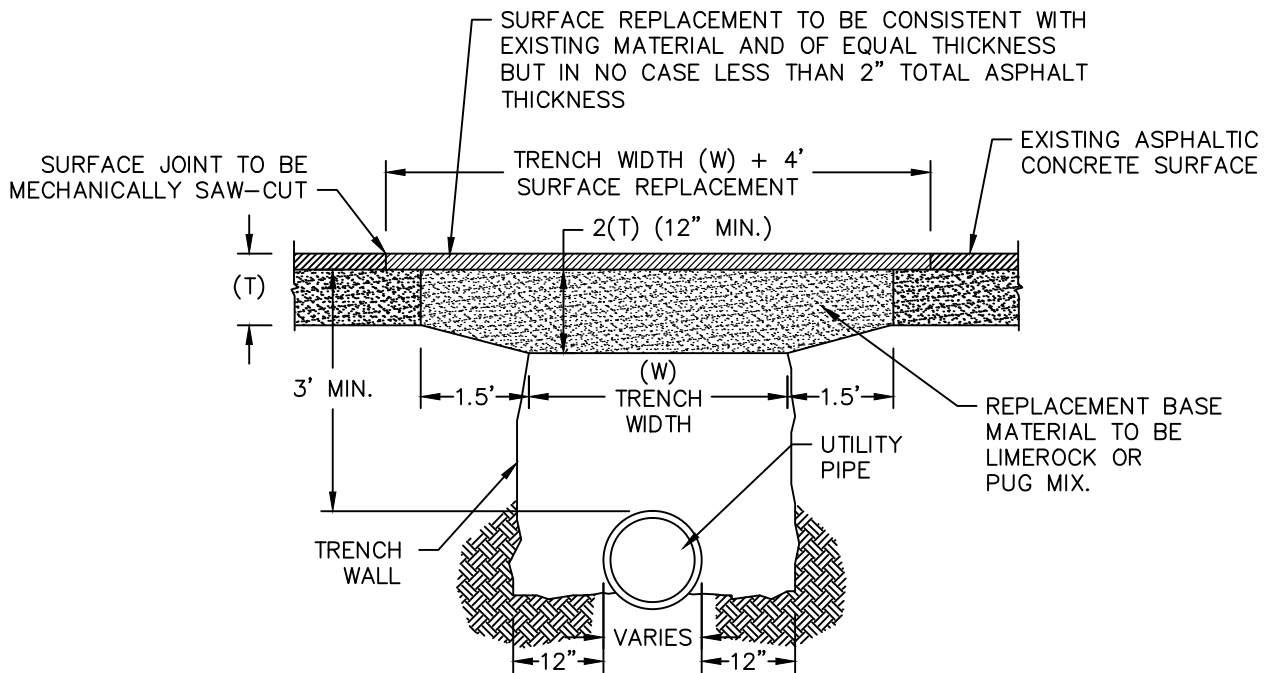


CARRIER PIPE AND CASING PIPE SIZES (MIN)													
CARRIER PIPE NOMINAL DIAMETER (D1)	4	6	8	10	12	14	16	18	20	24	30	36	42
CASING PIPE NOMINAL DIA (D2)	18	18	18	24	24	30	30	36	36	48	48	54	60
WALL THICKNESS-INCHES	0.31	0.31	0.31	0.33	0.33	0.38	0.38	0.42	0.42	0.52	0.52	0.58	0.61

NOTES


- ALL REQUIREMENTS OF THE RAILROAD AS SPECIFIED BY THE AMERICAN RAILWAY ENGINEERING ASSOCIATION AND THE RAILROAD COMPANY SHALL BE ADHERED TO WHEN CROSSING RAILROADS. THE MORE STRINGENT REQUIREMENTS BETWEEN THE R/R AND THE CITY OF WILDWOOD SHALL GOVERN IN ALL CASES.
- THE INSIDE DIAMETER OF THE CASING SHALL BE A MINIMUM OF 6" GREATER THAN THE OUTSIDE DIAMETER OF THE CARRIER PIPE BELL OR COUPLING.
- CASING FOR THE FORCE MAIN AND GRAVITY SEWER SHALL BE INSTALLED WITH A 2" VENT PIPE, WHERE REQUIRED, AT ONE END EXTENDING NOT LESS THAN 4' ABOVE GROUND SURFACE, AND ABOVE THE MAXIMUM ELEVATION OF HIGH WATER. THE TOP OF THE VENT PIPE SHALL BE FITTED WITH DOWN TURNED ELBOW PROPERLY SCREENED. THE VENT PIPE SHALL BE SCHEDULE NO. 40 GALVANIZED STEEL. VENT PIPE FOR WATER MAIN AND REUSE MAIN CASING IS NOT REQUIRED.
- PAYMENT FOR BORE AND JACK SHALL INCLUDE CASING, END ENCASUREMENTS, CARRIER PIPE, TRANSITION ADAPTORS, VENT PIPES AND SPACERS.
- INSTALL CASING SPACERS TO PROVIDE A MINIMUM OF THREE PER JOINT OF PIPE. INSTALL IN ACCORDANCE WITH THE MANUFACTURER'S WRITTEN INSTRUCTIONS.
- WATER MAIN AND FORCE MAIN PIPING INSIDE CASING IS TO BE RESTRAINED JOINT PIPING.

Drawing name: G:\Cities and Counties\Wildwood\Standard Details\MISC\W-02 Roadway Open-Cut Detail.dwg Model Jun 07, 2016 1:25pm by: thomas.d.agular

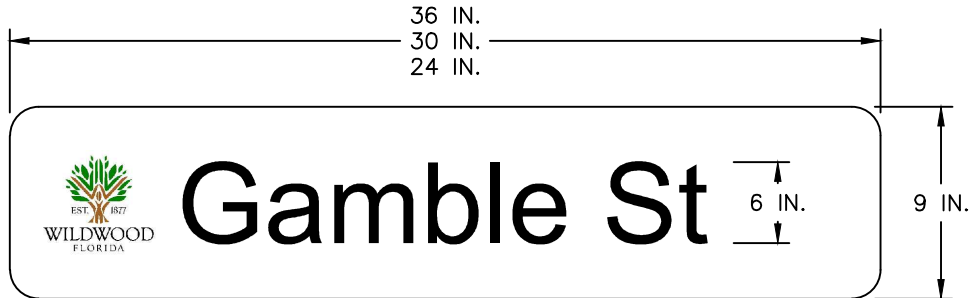


NOTES:

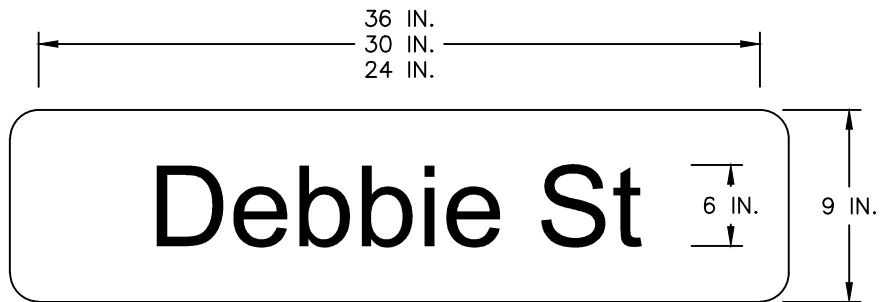
1. BACKFILL SHALL BE PLACED IN 6" LAYERS FROM BENEATH THE HAUNCHES OF THE PIPE TO THE BASE AND COMPACTED TO 98% DENSITY PER AASHTO T-180 MODIFIED PROCTER.
2. BASE MATERIALS TO BE PLACED IN TWO OR THREE LAYERS ROLLED AND TAMPED TO ABOVE SPECIFIED DENSITY.

 WILDWOOD FLORIDA	CITY OF WILDWOOD 100 NORTH MAIN STREET WILDWOOD, FLORIDA 34785 (352) 330-1330	SCALE NONE	CITY OF WILDWOOD WATER DETAIL	DETAIL NUMBER
		LATEST REVISION 06-05-12	ROADWAY OPEN-CUT	M-02 1 OF 1

STREET SIGNS




CITY MAINTAINED
 WHITE LETTERS ON A GREEN BACKGROUND



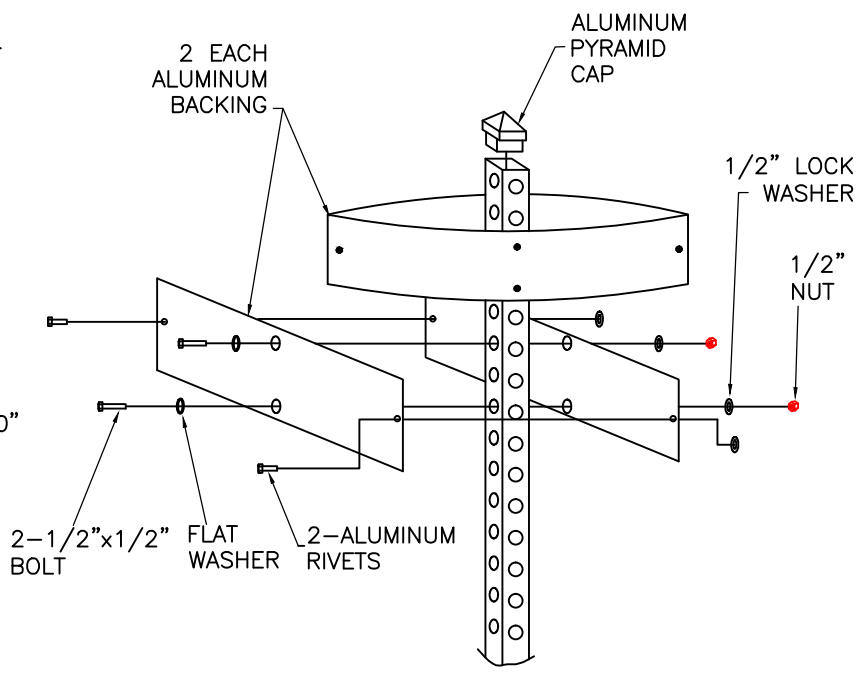
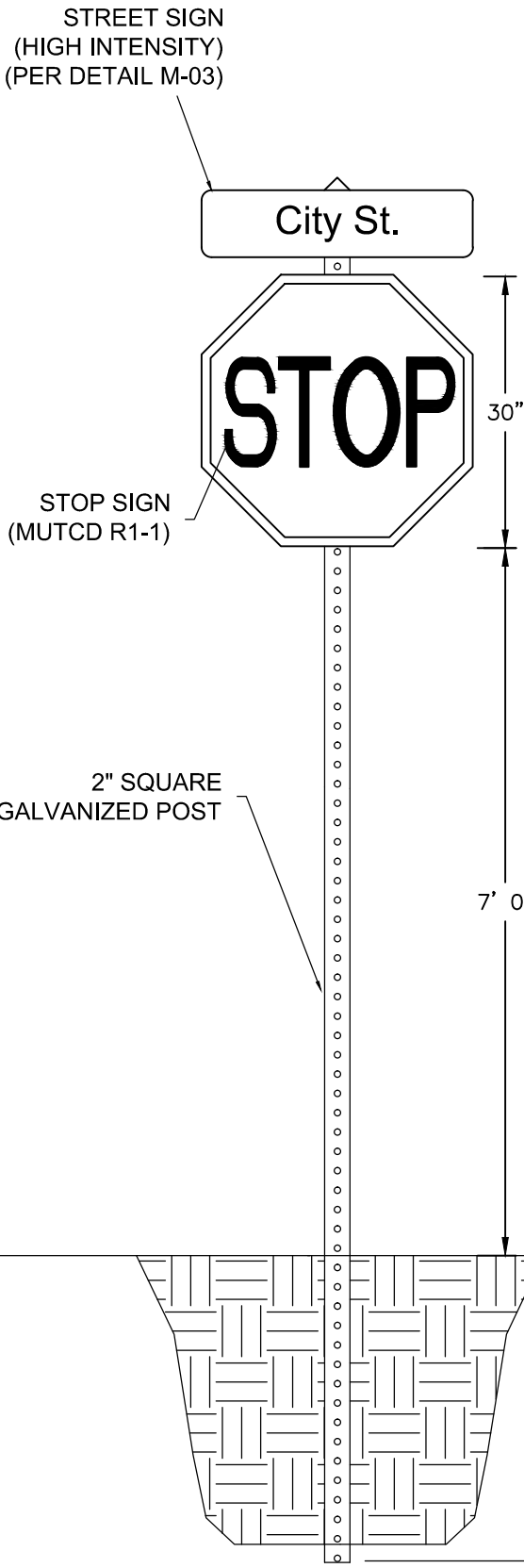
PRIVATELY MAINTAINED
 GREEN LETTERS ON A WHITE BACKGROUND


1. SIGNS SHOULD BE SINGLE SIDED, INSTALLED AROUND POST. SEE DETAIL M-04.
2. SIGNS SHALL BE 0.080 ALUMINUM WITH HIGH-INTENSITY BACKGROUND WITH DIE-CUT LETTERS.
3. UPPERCASE LETTERS SHALL BE 6" IN HEIGHT. LOWERCASE LETTERS SHALL BE 4.5" IN HEIGHT.
4. CITY MAINTAINED STREETS SHALL INCLUDE THE OFFICIAL LOGO AS SHOWN.

Drawing name: G:\Cities and Counties\Standard Details\MISC.W-03 Street Sign Detail.dwg Model Jun 07, 2016 1:30pm by: thomas.d.guilar

	CITY OF WILDWOOD 100 NORTH MAIN STREET WILDWOOD, FLORIDA 34785 (352) 330-1330	SCALE NONE	CITY OF WILDWOOD MISC. DETAIL	DETAIL NUMBER
		LATEST REVISION 06-01-16	STREET SIGN	M-03 1 OF 1

Drawing name: G:\Cities and Counties\Wildwood\Standard Details\MISC\W-04 Stop-Street Sign Detail.dwg Model Jun 07, 2016 1:32pm by: thomas.daguilar



 <p>WILDWOOD FLORIDA</p>	<p>CITY OF WILDWOOD 100 NORTH MAIN STREET WILDWOOD, FLORIDA 34785 (352) 330-1330</p>	SCALE	CITY OF WILDWOOD MISC. DETAIL	DETAIL NUMBER
		NONE		STOP/STREET SIGN
		LATEST REVISION		1 OF 1
		06-01-16		